

Draft Specification

HPL-H35WX1C0

Features

- Dimension : 3.45mm(L)×3.45mm(W)
- All Metal Design Cu Substrate with Silicone Lens
- Wide beam angle 140°
- Low thermal resistance
- The InGaN/GaN Chip inside

Applications

- Signal lighting
- Interior & exterior automotive lighting
- Decorative and landscape lighting
- Signage and channel letter
- Portable light source
- Decorating and entertainment lighting

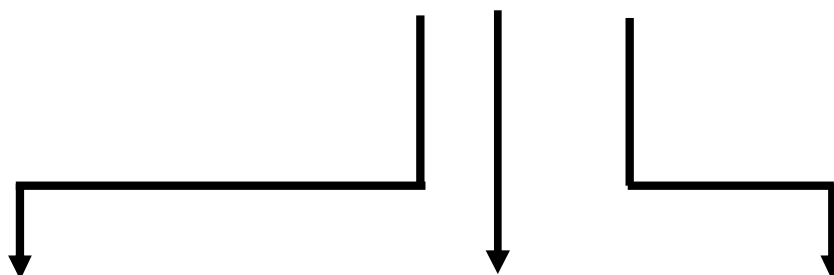
5F, No 173-8, Yung-Fon Road, Tu-Cheng District, New Taipei City, Taiwan, R.O.C.
TEL: +886-2-8262-8886 FAX : +886-2-8262-8885

Table of Contents

General Information	3
Part Number Matrix	4
Absolute Maximum Ratings	5
Initial Electrical/Optical Characteristics	6
Forward Voltage	6
Reverse Current	6
Luminous Flux or Radiant Flux	7
Dominate Wavelength or Peak Wavelength	7
Typical Radiation Pattern	8
Bin Code List for Reference	9
Hue Bin Specification for Red, Green, Blue, Amber, Orange, Royal Blue, Deep Red	11
Part Number Formation	12
Characteristic Diagram	13
Outline Dimension	15
Pad Configuration	15
Recommended Solder Pattern	16
Shipping Package Style	17
Qualification Reliability Testing	23
Recommended Solder Profile	24

General Information

HPL - H35WX1C0



Lens & Assembly Type-
R : 60° Lens
T : 60° Lens With Star

X : Color-
R: Red
G: Green
B: Blue
A: Amber
O: Orange
D: Royal Blue
H: Deep Red

Power-
C : 3W



Part Number Matrix

Color \ Type	140°Lens	140°Lens & Star
Red	HPL-H35WR1C0	HPL-H35ZR1C0
Green	HPL-H35WG1C0	HPL-H35ZG1C0
Blue	HPL-H35WB1C0	HPL-H35ZB1C0
Amber	HPL-H35WA1C0	HPL-H35ZA1C0
Orange	HPL-H35WO1C0	HPL-H35ZO1C0
Royal Blue	HPL-H35WD1C0	HPL-H35ZD1C0
Deep Red	HPL-H35WH1C0	HPL-H35ZH1C0

Absolute Maximum Ratings

(T_j=25°C)

Parameter	Symbol	Rating	Unit
Power Dissipation	Red	1.9	W
	Green	2.66	
	Blue	2.66	
	Amber	1.9	
	Orange	1.9	
	Royal Blue	1.9	
	Deep Red	1.9	
Forward Current	I _F	700	mA
Forward Pulse Current (1/10 Duty Cycle, 400msec Pulse Width)	I _{FP}	1000	mA
Thermal Resistance, Junction-Case	R _{th, J-C1}	5	°C/W
Reverse Voltage	V _R	5	V
LED Junction Temperature	T _j	125	°C
Operating Temperature Range	T _{opr}	-40°C to + 80°C	
Storage Temperature Range	T _{stg}	-40°C to + 120°C	
Soldering Condition	T _{sol}	260°C For 10 Seconds	

Note: 1. The thermal resistance value is measured with MCPCB (Star).

Initial Electrical/Optical Characteristics

● Forward Voltage

(T_j=25°C)

Color	Forward Voltage					
	Symbol	MIN.	TYP.	MAX.	Test Condition	Unit
Red→R	V _F	1.83	2.50	3.03	I _F = 700mA	V
Green→G	V _F	3.03	3.80	4.23	I _F = 700mA	V
Blue→B	V _F	3.03	3.80	4.23	I _F = 700mA	V
Amber→A	V _F	1.83	2.50	3.03	I _F = 700mA	V
Orange→O	V _F	1.83	2.50	3.03	I _F = 700mA	V
Royal Blue→D	V _F	3.03	3.80	4.23	I _F = 700mA	V
Deep Red →H	V _F	1.83	2.50	3.03	I _F = 700mA	V

● Reverse Current

(T_j=25°C)

Color	Reverse Current					
	Symbol	MIN.	TYP.	MAX.	Test Condition	Unit
Red→R	I _R	-	-	100	V _R = 5V	μA
Green→G	I _R	-	-	100	V _R = 5V	μA
Blue→B	I _R	-	-	100	V _R = 5V	μA
Amber→A	I _R	-	-	100	V _R = 5V	μA
Orange→O	I _R	-	-	100	V _R = 5V	μA
Royal Blue→D	I _R	-	-	100	V _R = 5V	μA
Deep Red →H	I _R	-	-	100	V _R = 5V	μA

● **Luminous Flux or Radiant Flux**

(T_j=25°C)

Color	Luminous Flux or Radiant Flux					
	Symbol	MIN.	TYP.	MAX.	Test Condition	Unit
Red→R	Φ _v	50	100	-	I _F = 700mA	lm
Green→G	Φ _v	60	130	-	I _F = 700mA	lm
Blue→B	Φ _v	10	30	-	I _F = 700mA	lm
Amber→A	Φ _v	-	70	-	I _F = 700mA	lm
Orange→O	Φ _v	-	100	-	I _F = 700mA	lm
Royal Blue→D	Φ _e	-	680	-	I _F = 700mA	mW
Deep Red →H	Φ _e	-	500	-	I _F = 700mA	mW

● **Dominate Wavelength or Peak Wavelength**

(T_j=25°C)

Color	Dominate Wavelength or Peak Wavelength					
	Symbol	MIN.	TYP.	MAX.	Test Condition	Unit
Red→R	λ _d	620	-	630	I _F = 700mA	nm
Green→G	λ _d	520	-	535	I _F = 700mA	nm
Blue→B	λ _d	460	-	475	I _F = 700mA	nm
Amber→A	λ _d	585	-	595	I _F = 700mA	nm
Orange→O	λ _d	610	-	620	I _F = 700mA	nm
Royal Blue→D	λ _p	440	-	460	I _F = 700mA	nm
Deep Red →H	λ _p	650	-	670	I _F = 700mA	nm

Note: Royal Blue and Deep Red LEDs are binned by Radiant Flux and Peak Wavelength

- **Typical Radiation Pattern**

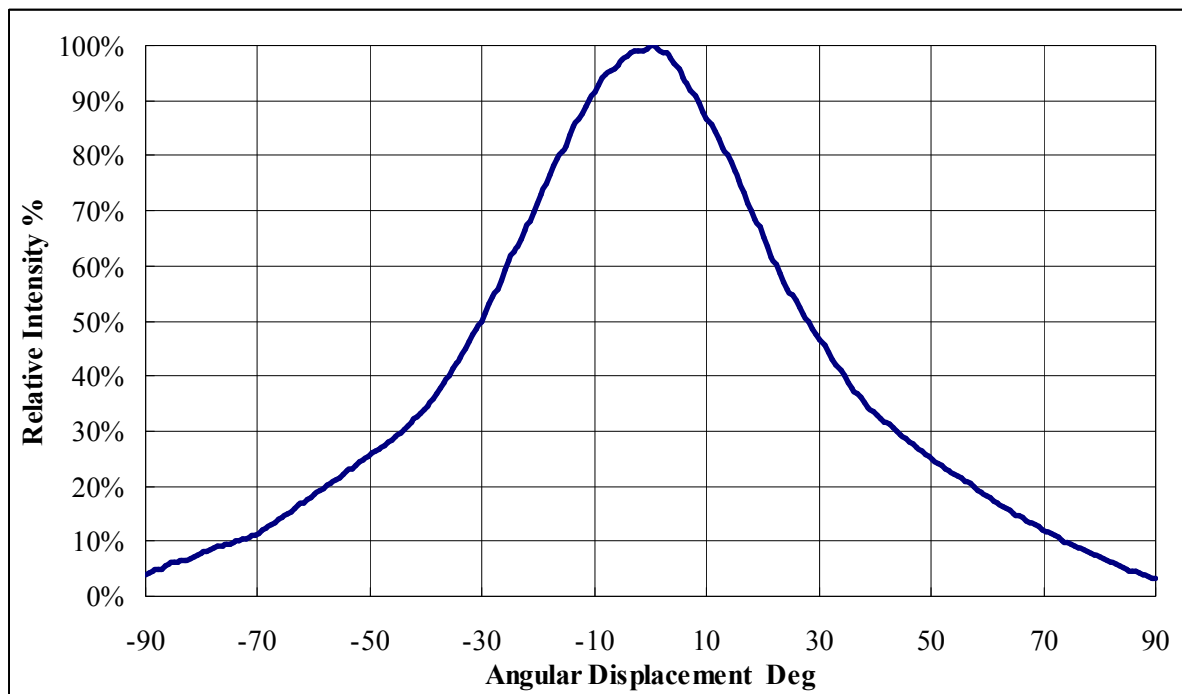


Fig. Typical Representative Spatial Radiation Pattern : 60 degree

● Bin Code List for Reference

(T_j=25°C)

Item	Bin Code	Symbol	Condition	Min.	Max.	Unit
Forward Voltage ¹	C	V _F	I _F = 700 [mA]	1.83	2.07	V
	D			2.07	2.31	
	E			2.31	2.55	
	F			2.55	2.79	
	G			2.79	3.03	
	H			3.03	3.27	
	J			3.27	3.51	
	K			3.51	3.75	
	L			3.75	3.99	
	M			3.99	4.23	
Luminous Flux ²	C	Φ _V	I _F = 700 [mA]	13.9	18.1	lm
	D			18.1	23.5	
	E			23.5	30	
	F			30	40	
	G			40	50	
	H			50	60	
	J			60	70	
	K			70	80	
	L			80	90	
	M			90	100	
	N			100	120	
	P			120	140	
	Q			140	160	
	R			160	180	
S	180	200				

Radiant Flux ²	D	Φ_e	$I_F = 700 \text{ [mA]}$	350	425	mW
	E			425	500	
	F			500	600	
	G			600	700	
	H			700	800	
	J			800	900	

Note: 1. Forward voltage measurement allowance is $\pm 0.1V$.

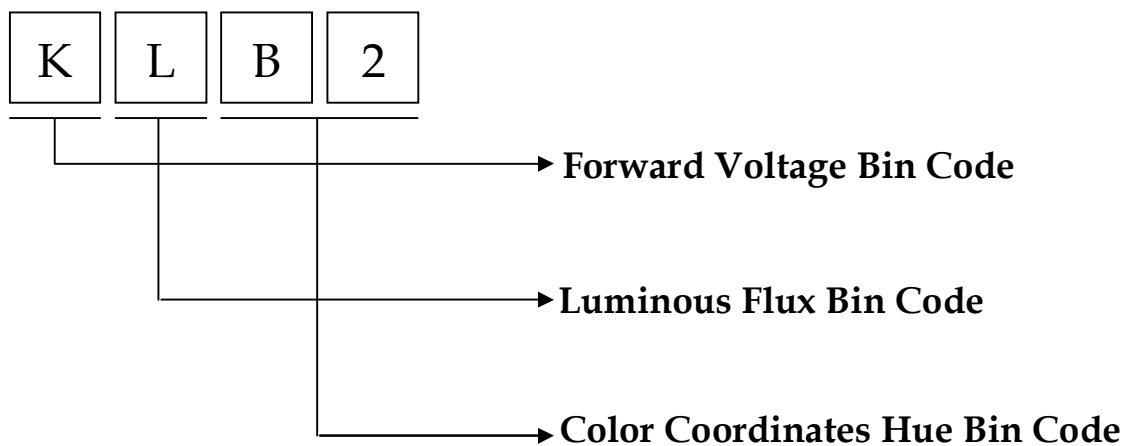
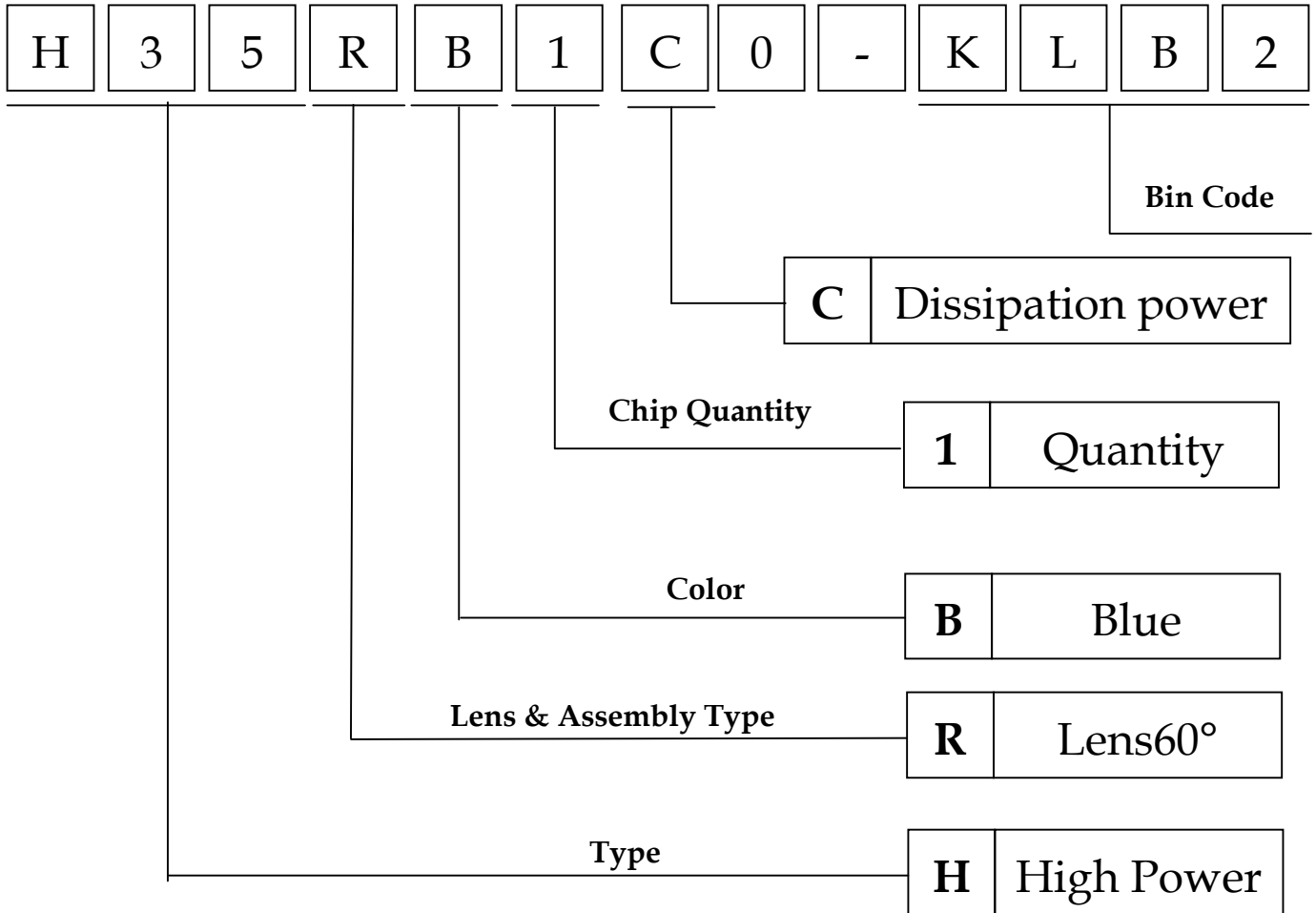
2. Luminous Flux or Radiant Flux measurement allowance is $\pm 10\%$.

- Hue Bin Specification for Red, Green, Blue, Amber, Orange, Royal Blue

Name	Code	λ Min (nm)	λ Max (nm)
Blue	B1	460	465
	B2	465	470
	B3	470	475
Green	G2	520	525
	G3	525	530
	G4	530	535
Amber	A2	587	589.5
	A4	589.5	592
	A6	592	594.5
Red & Orange	R2	610	615
	R3	615	620
	R4	620	625
	R5	625	630
Royal Blue	D0	440	445
	D1	445	450
	D2	450	455

Note: Wavelength measurement allowance is ± 2 nm

Part Number Formation



Characteristic Diagram

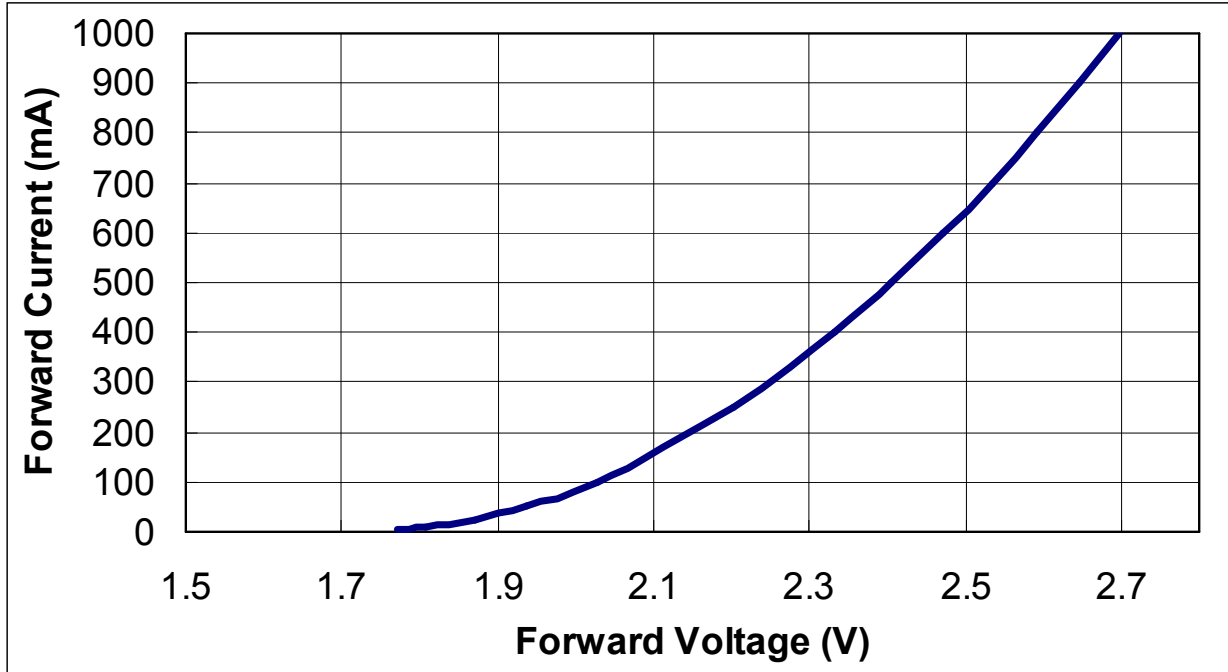


Fig. Forward Current vs. Forward Voltage: Red/Amber/Orange/Deep Red color.

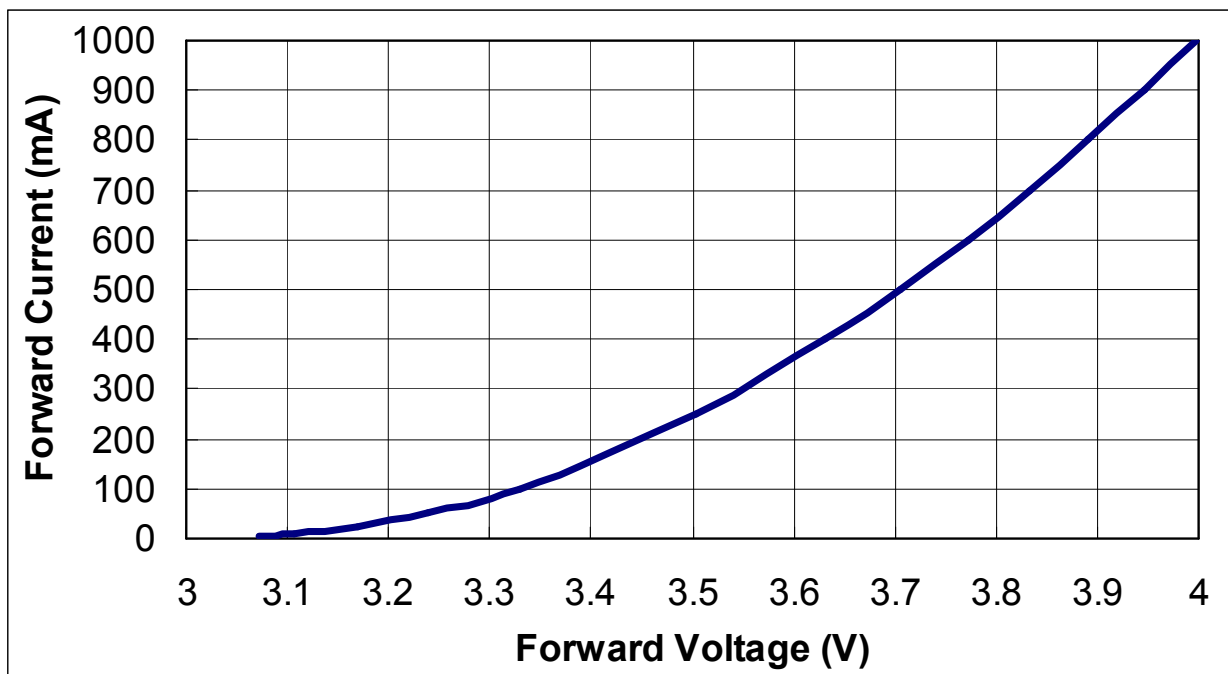


Fig. Forward Current vs. Forward Voltage: Blue/ Green /Royal Blue color.

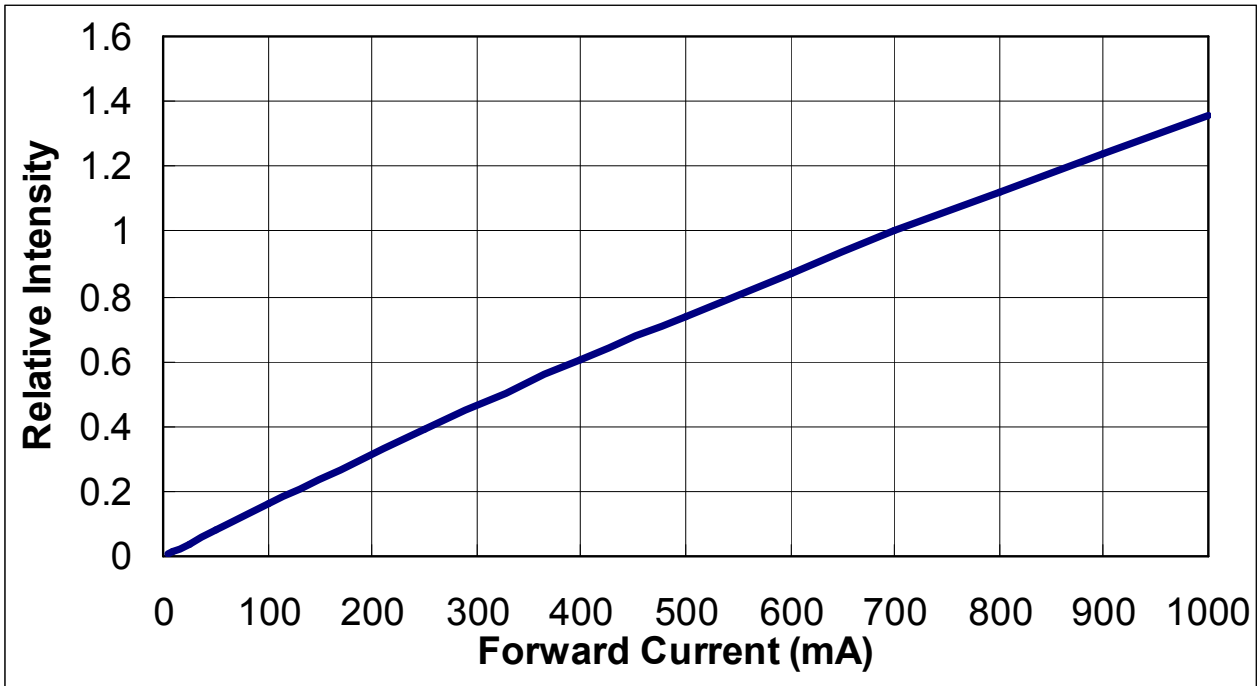


Fig. Relative Intensity vs. Forward Current.

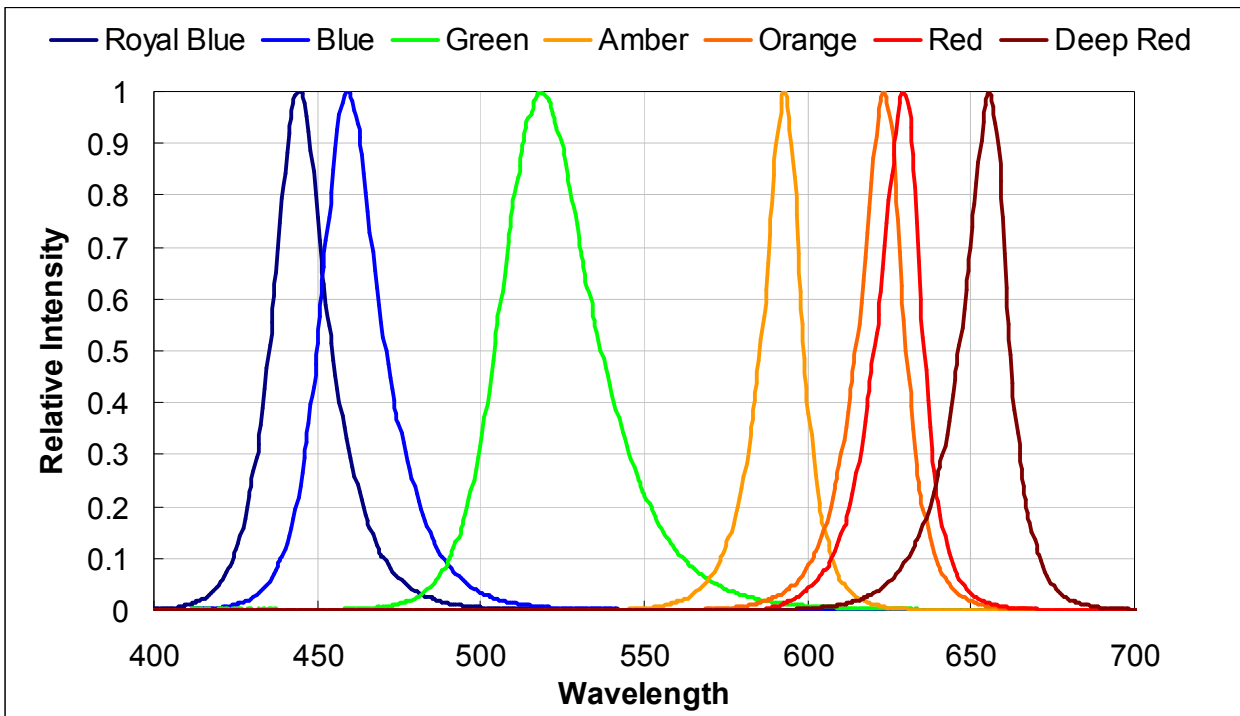


Fig. Relative Intensity vs. Wavelength: Single Color.

Outline Dimension

Unit : mm

HPL-H35RX1C0

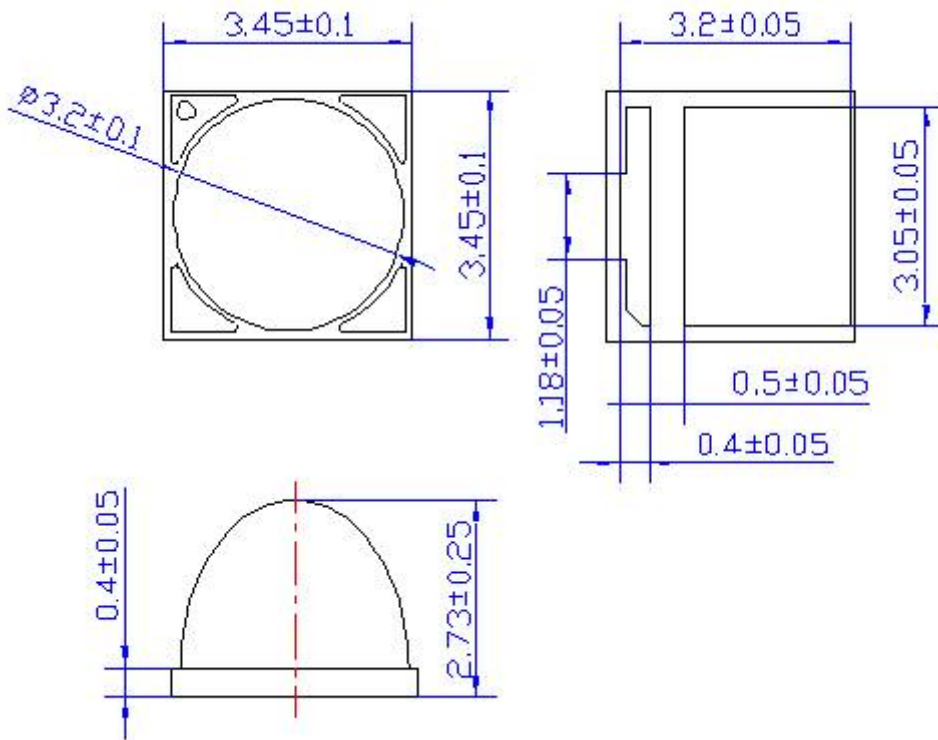
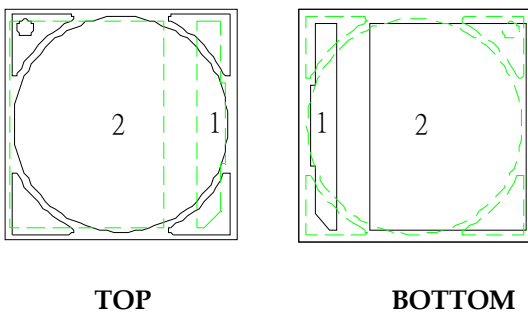


Fig. Package Outline Drawing.

Pad Configuration



PAD	Function
1	Cathode
2	Anode、Thermal

Fig8. Pad configuration.

Note: Please don't put conductive material on the top surface of LEDs.

Recommended Solder Pattern

Unit : mm

Tolerance ±0.05

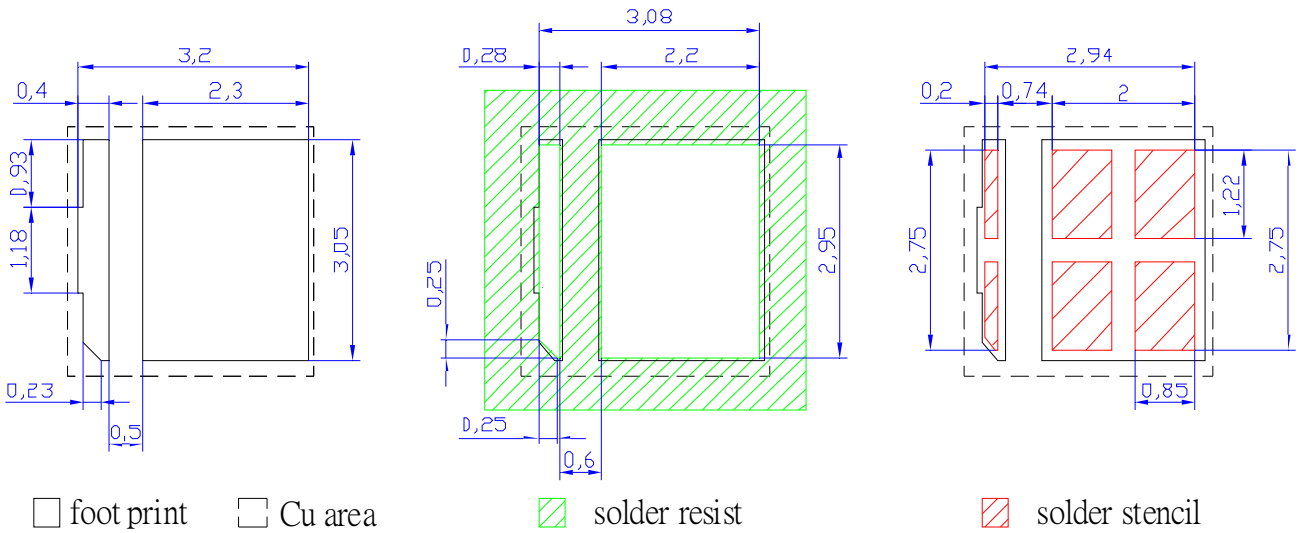


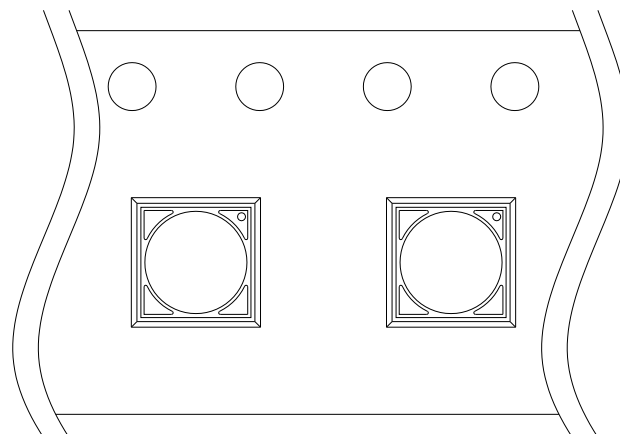
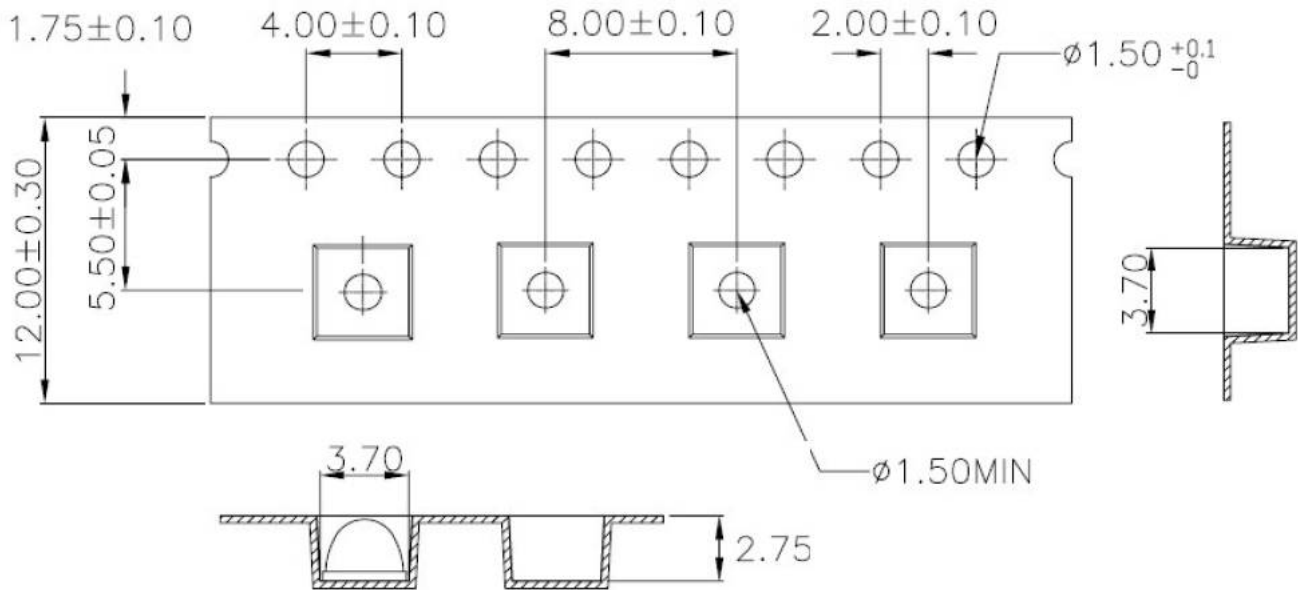
Fig. Solder Pad Layout.

Shipping Package Style
HPLighting Corp.

Tapping Dimension Packaging Specification

- Moisture proof bag.
- 1 Reel/bag.
- Q'ty : 2500(MAX)/Reel

Unit : mm



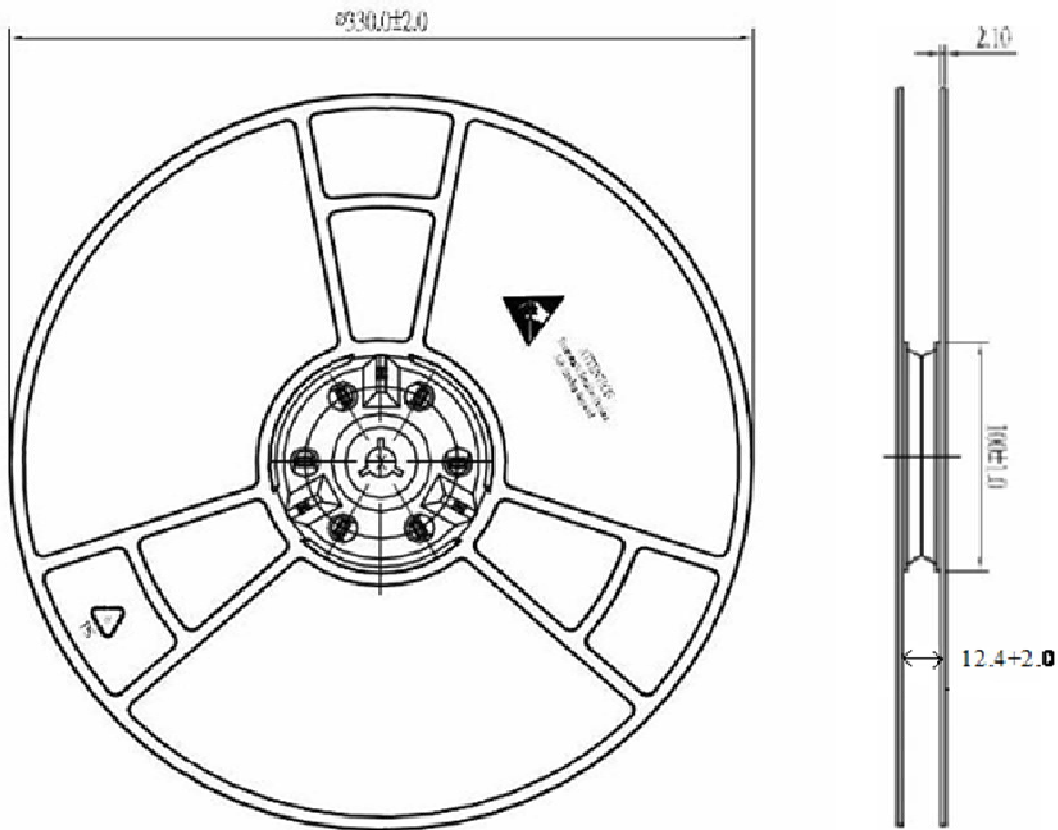
13 inch Reel Package

Box Type	Dimension (mm)	Reel/Box	60°Lens Type (Pcs)
Small Box(S)	415 x 380 x 95	5 Reel/Box	12500
Middle Box(M)	415 x 380 x 290	15 Reel/Box	37500
Large Box(L)	780 x 432 x 310	30 Reel/Box	75000

Reel Packaging :

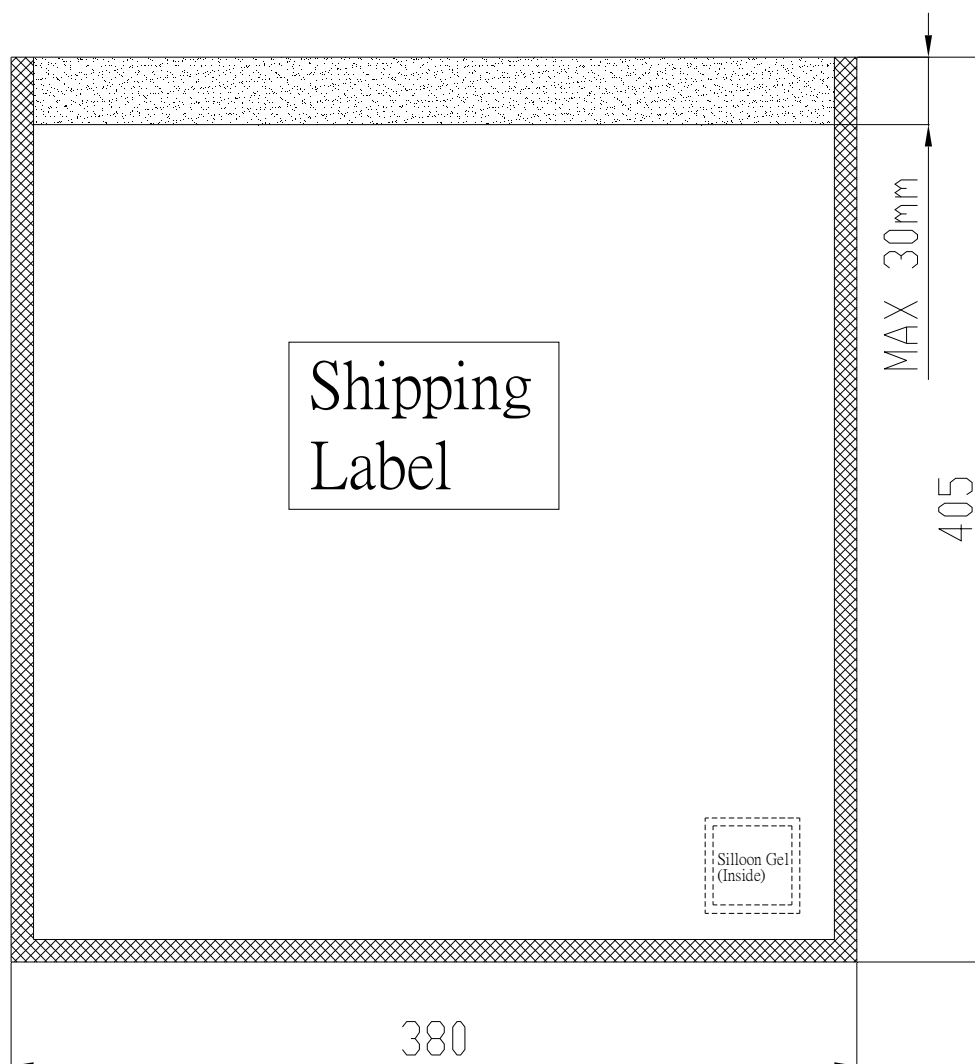
Reel Part :

Unit : mm



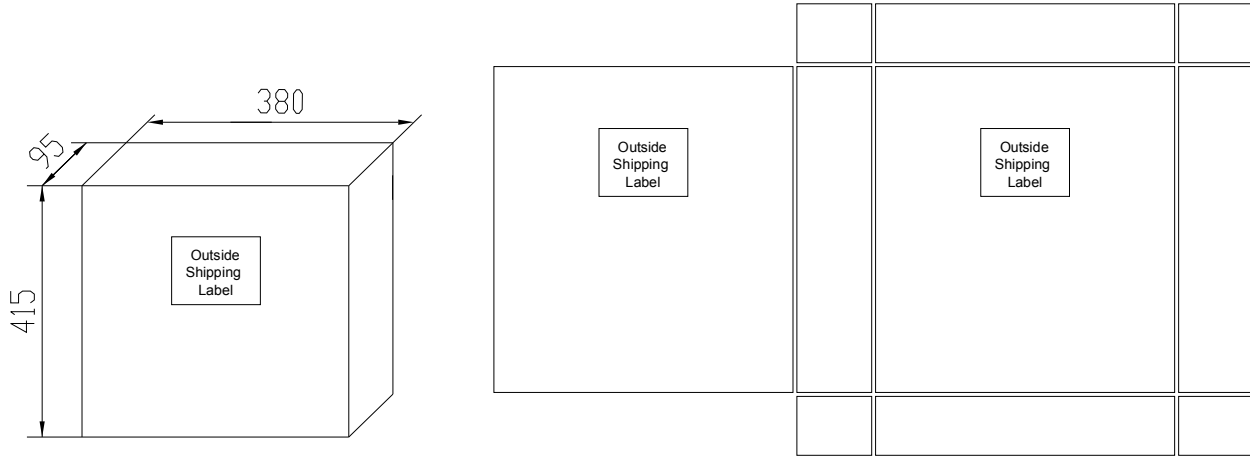
Anti Statistic Bag :

Unit : mm



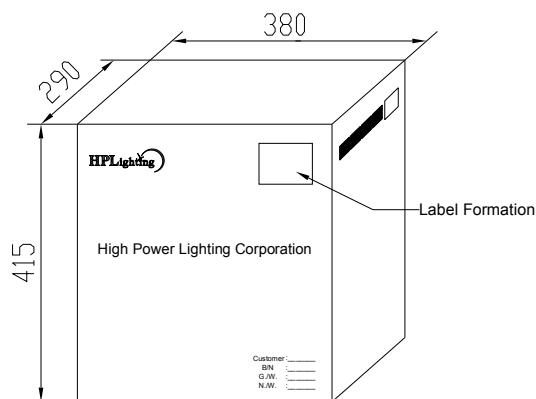
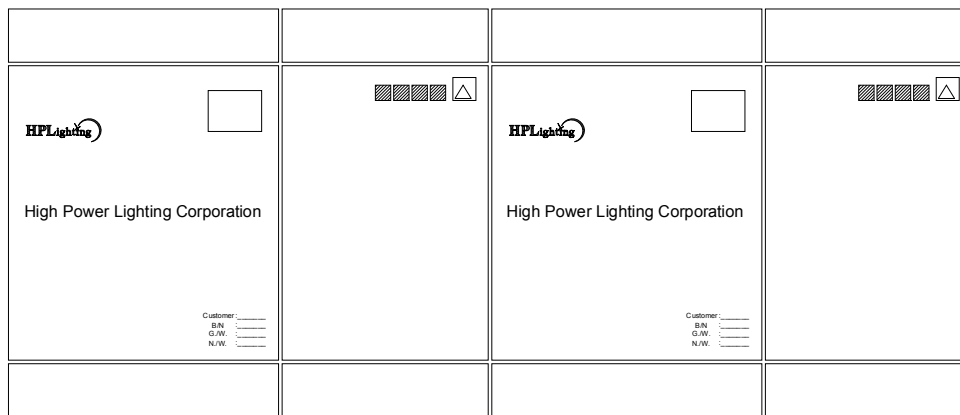
Small Box

Unit : mm



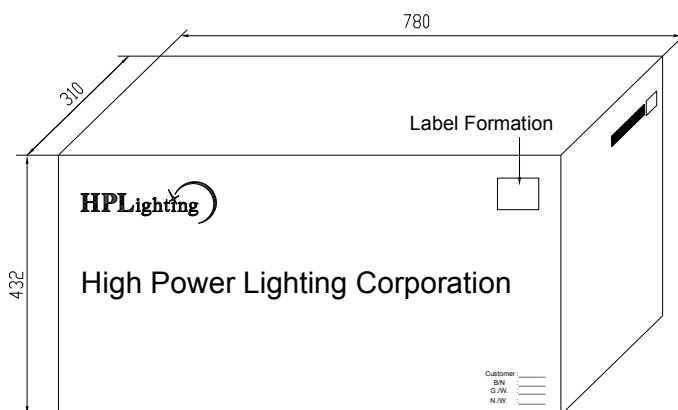
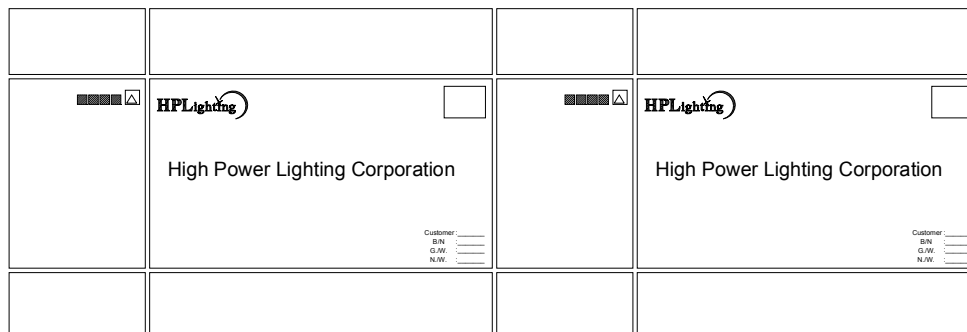
Middle Box

Unit : mm



Large Box

Unit : mm



Label Formation

70mm

HPLighting	
P/N: XXXXXXXXXXXXXXXXX	BIN Rank: XXXXXXX
	
LOT: XXXXXXXXXXXXXXXXX	Q'ty: XXXXX pcs
	
High Power Lighting Corporation (Taiwan)	XXX

40mm

HPLighting	
Customer :XXXXXXXXXXXXXXXXXXXXXX	
P/N: XXXXXXXXXXXXXXXXX	
OQC Stamp:	Q'ty: XXXXX pcs
High Power Lighting Corporation (Taiwan)	

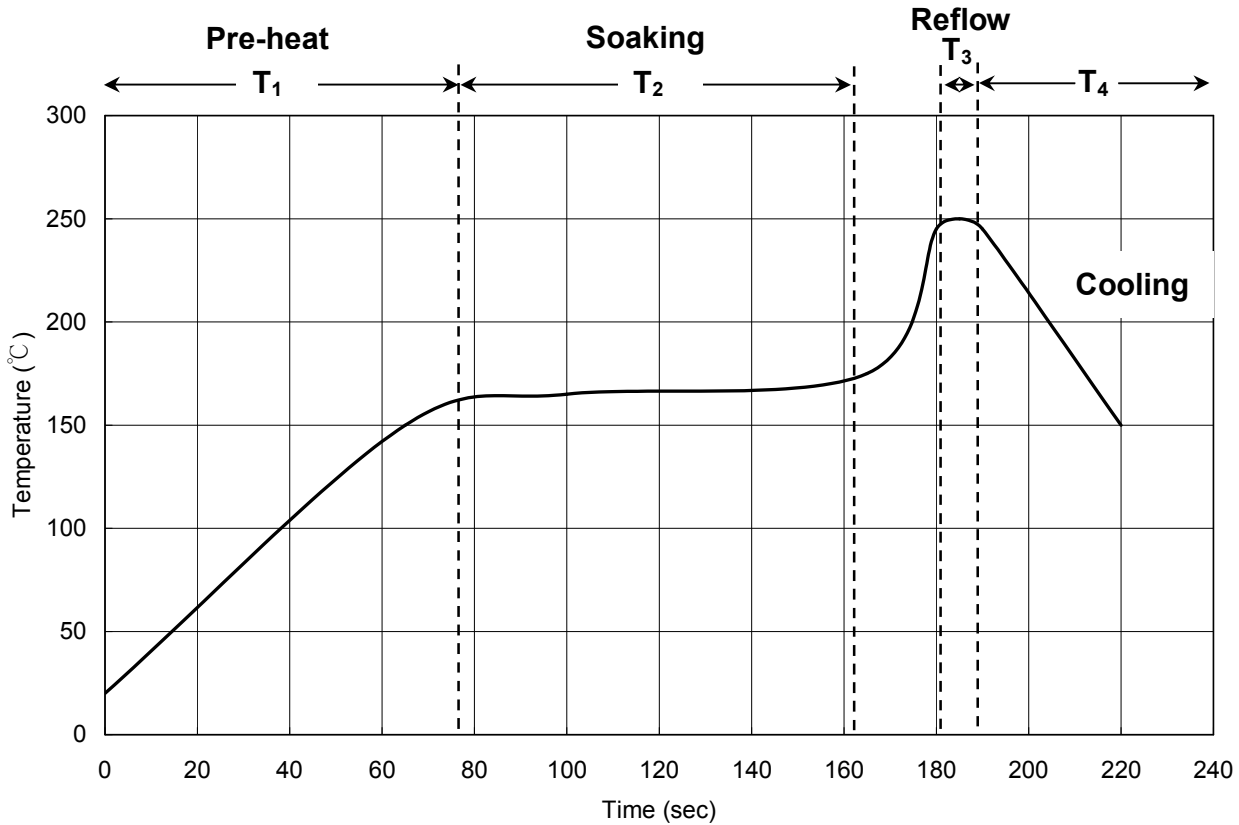
Qualification Reliability Testing

Classification	Test Item	Test conditions	Reference Standard
Endurance Test	Operation Life	$I_F = 700\text{mA}$ $T_a = 25^\circ\text{C}$ Test Duration = 1000hrs	MIL-STD-750: 1026 MIL-STD-883: 1005 JIS C 7021: B-1
	High Temperature High Humidity Storage	$T_a = 85\pm 5^\circ\text{C}$ RH = 85±5% Test Duration = 1000hrs	MIL-STD-202: 103B JIS C 7021: B-11
	High Temperature Storage	$T_a = 105\pm 5^\circ\text{C}$ Test Duration = 1000hrs	MIL-STD-202: 1008 JIS C 7021: B10
	Low Temperature Storage	$T_a = -40\pm 5^\circ\text{C}$ Test Duration = 1000hrs	JIS C 7021: B-12
Environmental Test	Temperature Cycling	$-30^\circ\text{C} \sim 25^\circ\text{C} \sim 105^\circ\text{C} \sim 25^\circ\text{C}$ 30min 5min 30min 5min Test Duration = 10 cycle	MIL-STD-202: 107D MIL-STD-750: 1051 MIL-STD-883: 1010 JIS C 7021: A-4
	Thermal Shock	$-30\pm 5^\circ\text{C} \sim 105\pm 5^\circ\text{C}$ 30min 30min Test Duration = 10 cycle	MIL-STD-202: 107D MIL-STD-750: 1051 MIL-STD-883: 1011
	Solder Resistance	$T_{\text{sol}} = 260\pm 5^\circ\text{C}$ Dwell Time = 10sec	MIL-STD-202: 210A MIL-STD-750: 2031 JIS C 7021: A-1

Measuring Items	Symbol	Measuring Conditions	Failure Criteria
Forward voltage	V_F	$I_F = 700\text{mA}$	V_F shift > 10%
Luminous	$I_v\%$	$I_F = 700\text{mA}$	$I_v\%$ shift > 10%

Recommended Solder Profile

Soldering Recommended soldering conditions:



T ₁	Ramp up rate	1.0 ~ 3.0 °C/sec
	Pre-heat time	50 ~ 80 sec
T ₂	Soaking temperature	155 ~ 185 °C
	Dwell time during soaking	60 ~ 120 sec
T ₃	Reflow temperature	240 ~ 250 °C
	Reflow time	Max 10 sec
	Ramp up rate during reflow	1.2 ~ 2.3 °C/sec
T ₄	Cooling	1.0 ~ 6.0 °C/sec

Note: Suggest using Sn96Ag3Cu0.5 lead free solder.

Cleaning

Use alcohol-based cleaning solvents such as isopropyl alcohol to clean the LED if necessary.



This page is intended left blank.

For the latest product information, call us or visit: www.hplighting.com.tw

©2015, High Power Lighting Corporation(HPL), all rights reserved. This document contains information that is proprietary to HPL and may be duplicated in whole or in part by the original recipient for the internal business purposes only, provided that this entire notice appears in all copies. In accepting this document, the recipient agrees to make every reasonable effort to prevent unauthorized use of this information.

5F, No 173-8, Yung-Fon Road, Tu-Cheng District, New Taipei City, Taiwan, R.O.C.
TEL: +886-2-8262-8886 FAX : +886-2-8262-8885

HPLighting Corp.

www.hplighting.com.tw