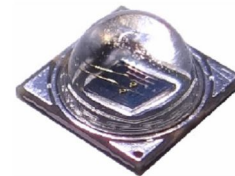


Specification For IR Series

HPL-H40CJ1C0



Features

- Dimension : 4.0mm(L)×4.0mm(W)
- High Radiant Flux type
- All Metal Design Cu Substrate with Silicone Lens
- Middle beam angle 100°
- Low thermal resistance
- The AlGaAs/ AlGaAs , AlGaAs/ GaAs Chip inside

Applications

- IrDA
- Encoder
- Data Communication
- CCTV

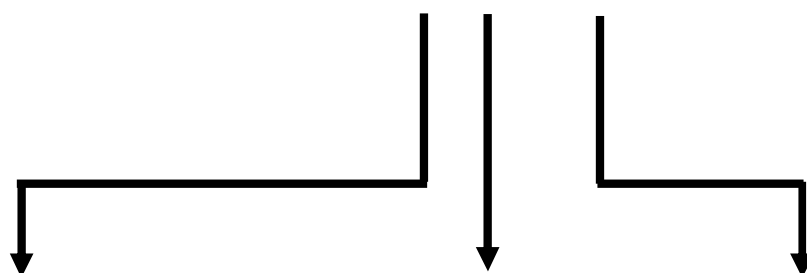
5F, No 173-8, Yung-Fon Road, Tu-Cheng District, New Taipei City, Taiwan, R.O.C.
TEL: +886-2-8262-8886 FAX : +886-2-8262-8885

Table of Contents

| | |
|--|----|
| General Information | 3 |
| Part Number Matrix | 4 |
| Absolute Maximum Ratings | 4 |
| Initial Electrical/Optical Characteristics | 5 |
| Forward Voltage | 5 |
| Reverse Current | 5 |
| Radiant Flux | 5 |
| Radiant Intensity | 5 |
| Peak wavelength | 5 |
| Spectra half-width | 5 |
| Typical Radiation Pattern | 6 |
| Bin Code List for Reference | 6 |
| Part Number Formation | 7 |
| Characteristic Diagram | 8 |
| Outline Dimension | 10 |
| Pad Configuration | 10 |
| Recommended Solder Pattern | 12 |
| Shipping Package Style | 13 |
| Qualification Reliability Testing | 23 |
| Recommended Solder Profile | 24 |

General Information

HPL - H40CJ1C0



Beam Angle-

Middle beam angle

Wavelength-

J : IR 850nm

Power-

C : 3W



Part Number Matrix

| Type Wavelength | 100°Lens | 100°Lens & Star |
|--------------------|--------------|-----------------|
| IR 850 | HPL-H40CJ1C0 | HPL-H40UJ1C0 |

Absolute Maximum Ratings

(T_j=25°C)

| Parameter | Symbol | Rating | Unit |
|---|-----------------------|----------------------|------|
| Power Dissipation | P | 2.5 | W |
| Forward Current | I _F | 1000 | mA |
| Forward Pulse Current (1/10 Duty Cycle, 400msec Pulse Width) | I _{FP} | 1500 | mA |
| Thermal Resistance, Junction-Case | R _{th, J-C1} | 5 | °C/W |
| Reverse Voltage | V _R | 5 | V |
| LED Junction Temperature | T _J | 125 | °C |
| Operating Temperature Range | T _{opr} | - 40°C to + 80°C | |
| Storage Temperature Range | T _{stg} | - 40°C to + 120°C | |
| Soldering Condition | T _{sol} | 260°C For 10 Seconds | |

Note: 1. The thermal resistance value is measured with MCPCB (Star).

Initial Electrical/Optical Characteristics

- Forward Voltage** (T_j=25°C)

| Wavelength | Forward Voltage | | | | | |
|------------|-----------------|------|------|------|-------------------------|------|
| | Symbol | MIN. | TYP. | MAX. | Test Condition | Unit |
| IR 850nm | V _F | - | 1.9 | - | I _F = 1000mA | V |

- Reverse Current** (T_j=25°C)

| Wavelength | Reverse Current | | | | | |
|------------|-----------------|------|------|------|---------------------|------|
| | Symbol | MIN. | TYP. | MAX. | Test Condition | Unit |
| IR 850nm | I _R | - | - | 100 | V _R = 5V | μA |

- Radiant Flux** (T_j=25°C)

| Wavelength | Radiant Flux | | | | | |
|------------|----------------|------|------|------|-------------------------|------|
| | Symbol | MIN. | TYP. | MAX. | Test Condition | Unit |
| IR 850nm | Φ _e | 500 | 800 | - | I _F = 1000mA | mW |

- Radiant Intensity** (T_j=25°C)

| Wavelength | Radiant Intensity | | | | | |
|------------|-------------------|------|------|------|-------------------------|-------|
| | Symbol | MIN. | TYP. | MAX. | Test Condition | Unit |
| IR 850nm | I _e | - | 290 | - | I _F = 1000mA | mW/sr |

- Peak wavelength** (T_j=25°C)

| Wavelength | Wavelength | | | | | |
|------------|----------------|------|------|------|-------------------------|------|
| | Symbol | MIN. | TYP. | MAX. | Test Condition | Unit |
| IR 850nm | λ _p | 840 | 855 | 870 | I _F = 1000mA | nm |

- Spectra half-width** (T_j=25°C)

| Wavelength | Wavelength | | | | | |
|------------|------------|------|------|------|-------------------------|------|
| | Symbol | MIN. | TYP. | MAX. | Test Condition | Unit |
| IR 850nm | Δλ | - | 40 | - | I _F = 1000mA | nm |

● **Typical Radiation Pattern**

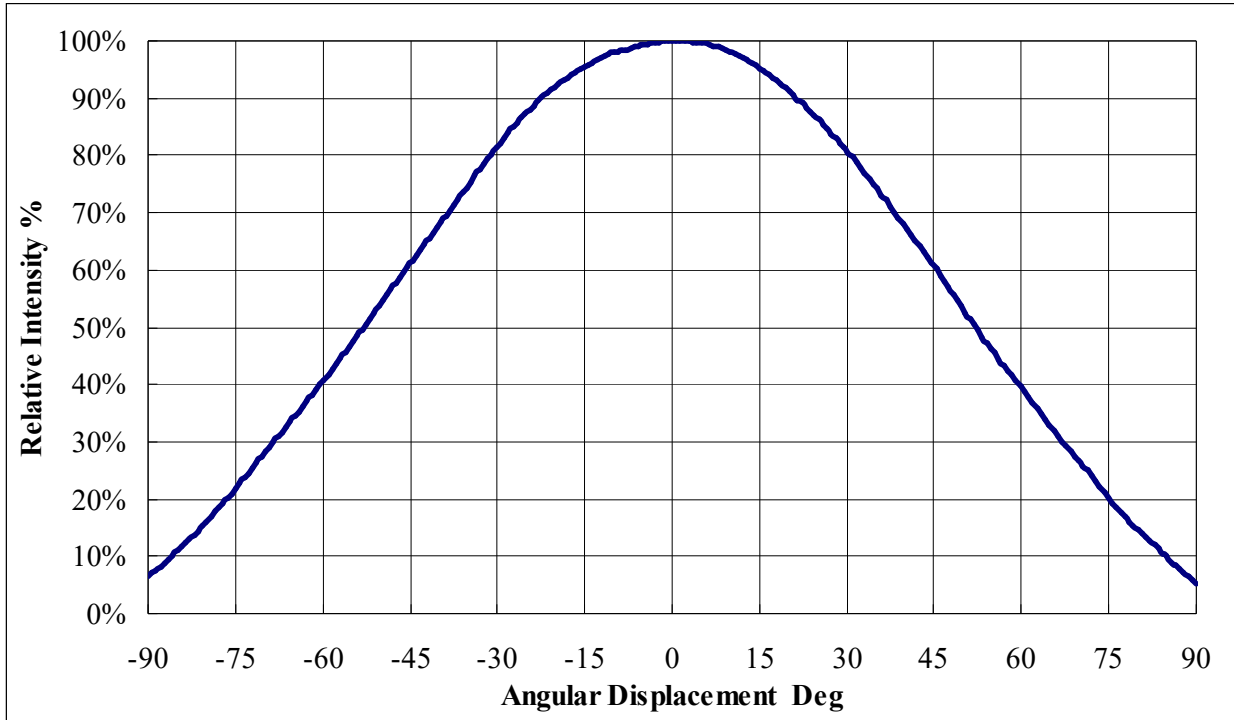


Fig. Typical Representative Spatial Radiation Pattern : 100 degree

● **Bin Code List for Reference**

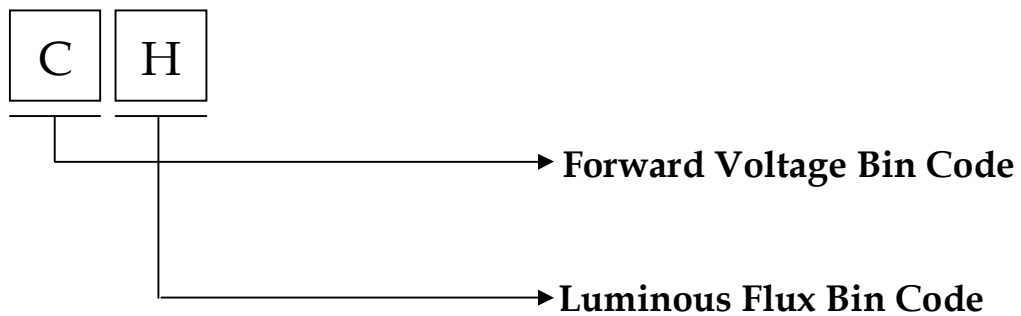
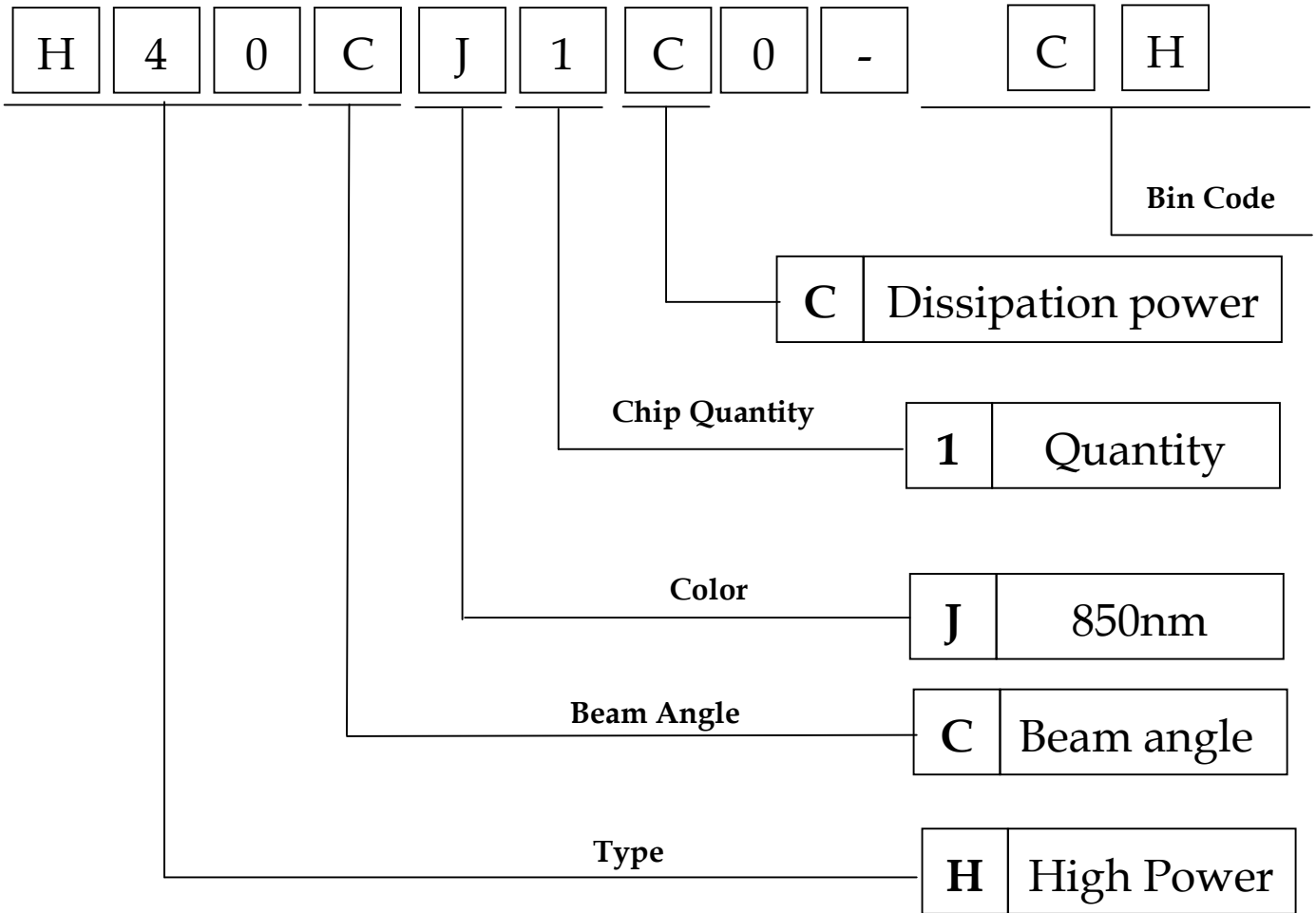
(Tj=25°C)

| Item | Bin Code | Symbol | Condition | Min. | Max. | Unit |
|------------------------------|----------|----------------|----------------------------|------|------|------|
| Forward Voltage ¹ | B | V _F | I _F = 1000 [mA] | 1.59 | 1.83 | V |
| | C | | | 1.83 | 2.07 | |
| | D | | | 2.07 | 2.31 | |
| | E | | | 2.31 | 2.55 | |
| Luminous Flux ² | F | Φ _e | I _F = 1000 [mA] | 500 | 600 | mW |
| | G | | | 600 | 700 | |
| | H | | | 700 | 800 | |
| | J | | | 800 | 900 | |

Note

1. Forward voltage measurement allowance is ± 0.1V.
2. Radiant flux measurement allowance is ± 10%.

Part Number Formation



Characteristic Diagram

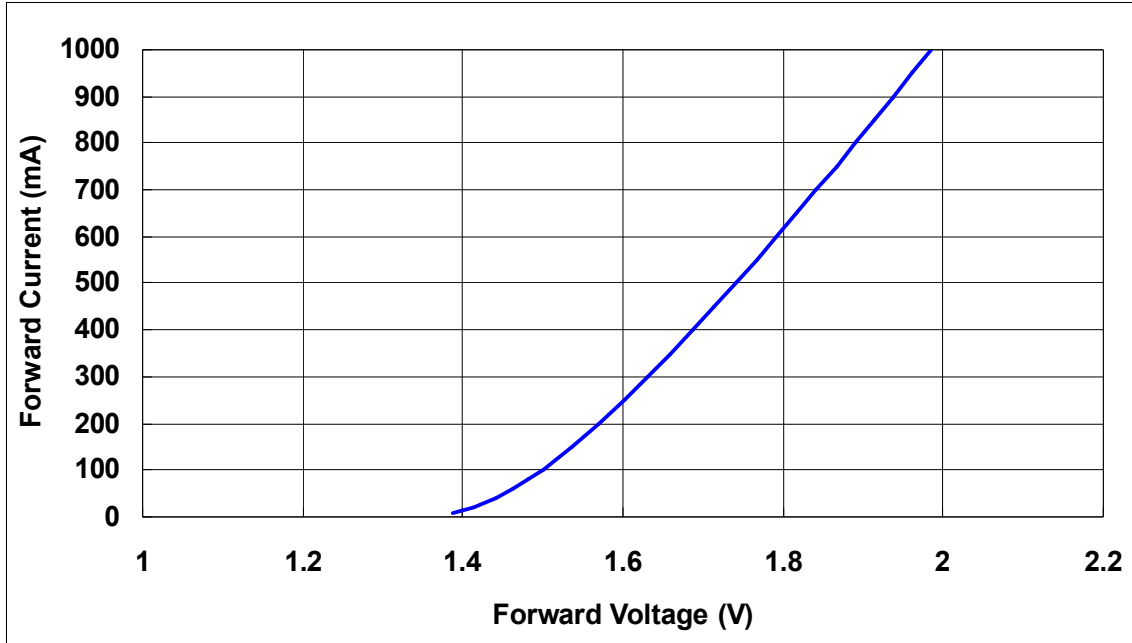


Fig. Forward Current vs. Forward Voltage

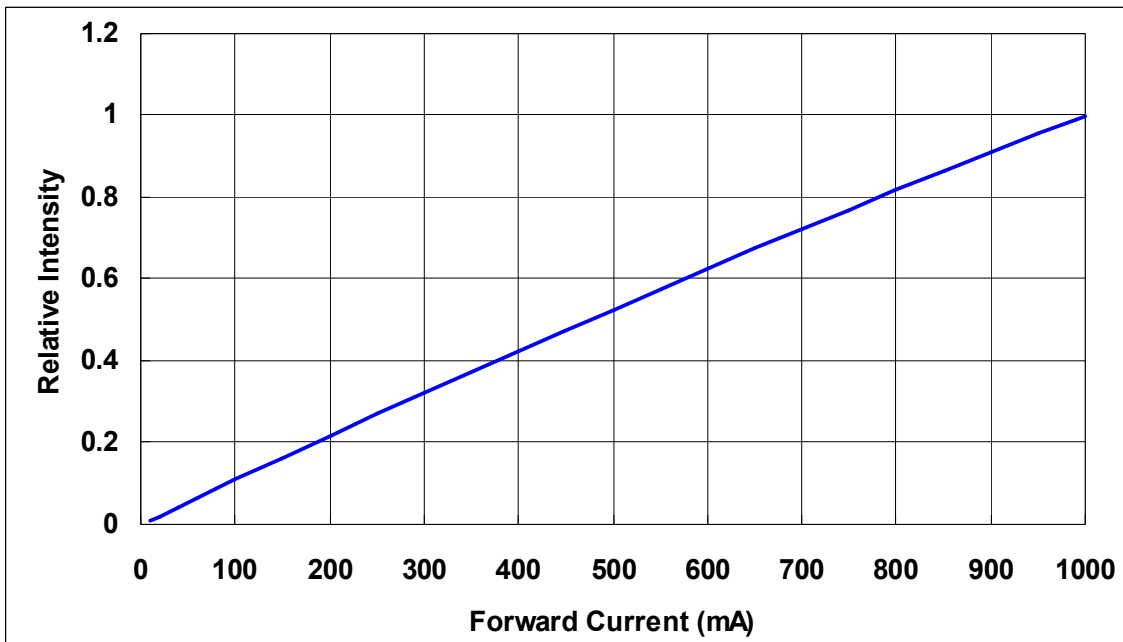


Fig. Relative Intensity vs. Forward Current.

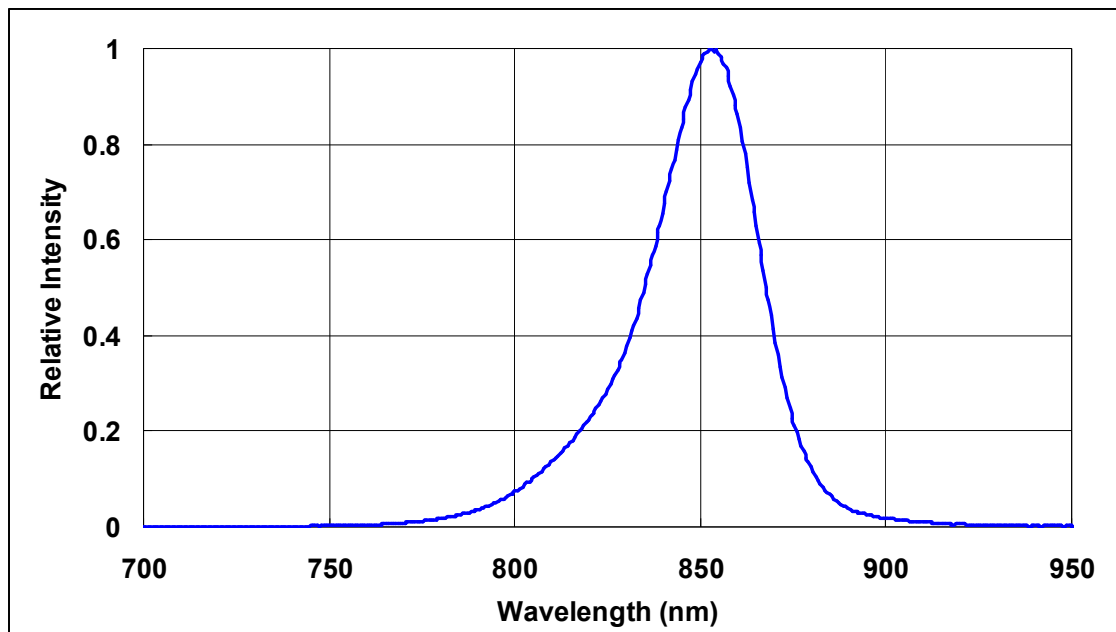


Fig. Typical Relative Intensity vs. wavelength

Outline Dimension

Unit : mm

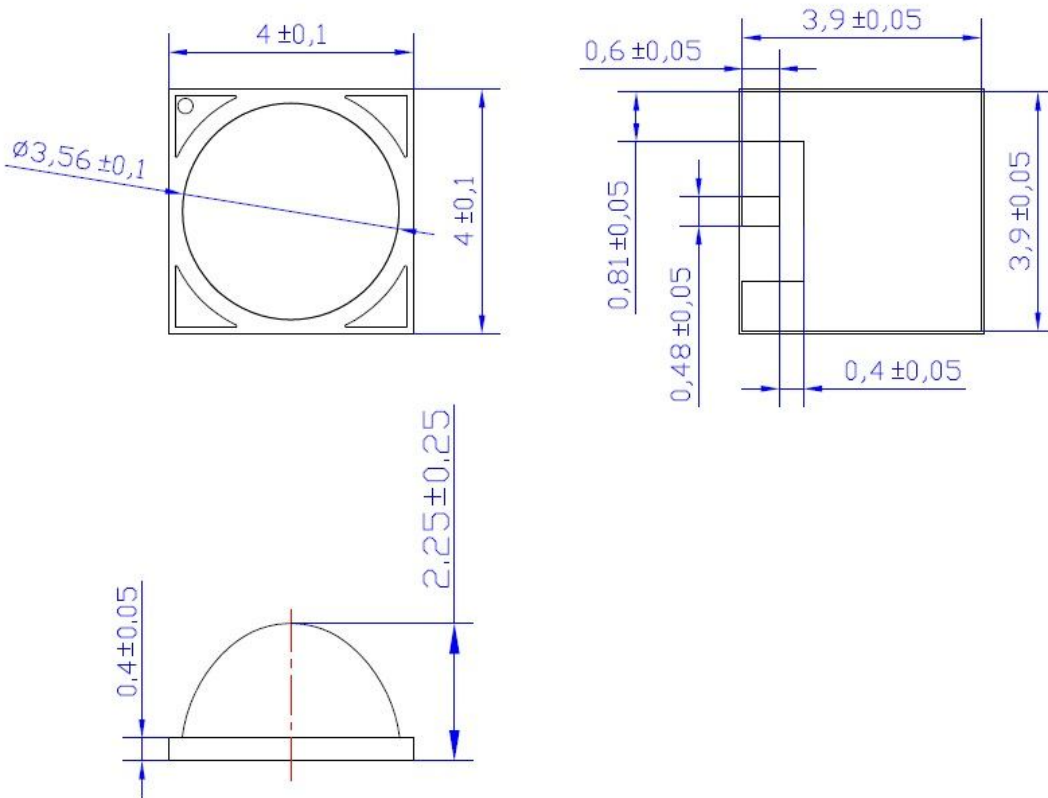
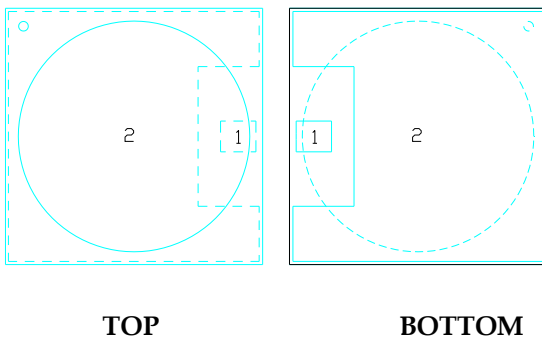


Fig. Package Outline Drawing.

● Pad Configuration



| PAD | Function |
|-----|---------------|
| 1 | Cathode |
| 2 | Anode、Thermal |

Fig8. Pad configuration.

Note: Please don't put conductive material on the top surface of LEDs.

HPL-H40UJ1C0

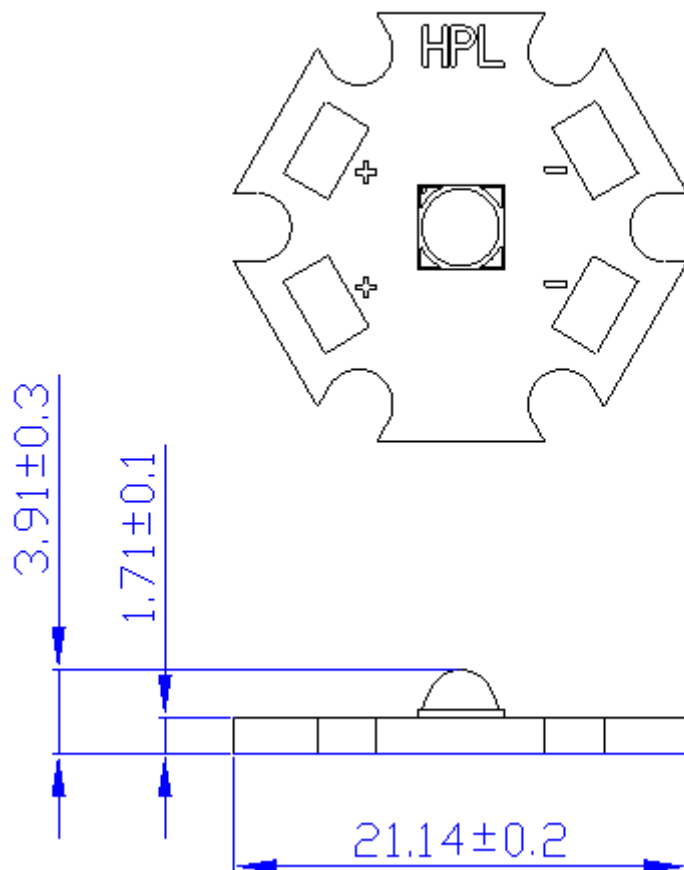
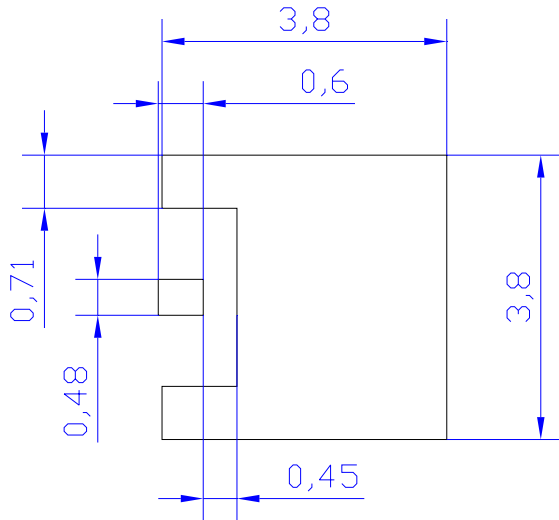


Fig. Assembly Outline Drawing.

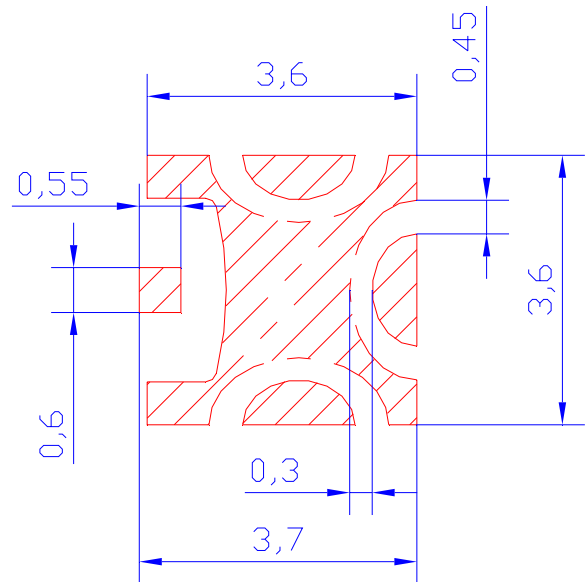
Recommended Solder Pattern

Unit : mm

Tolerance ± 0.05



MCPCB LAYOUT



SOLDER MASK

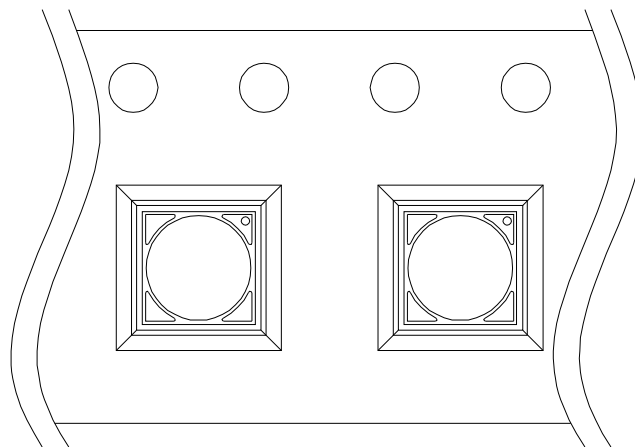
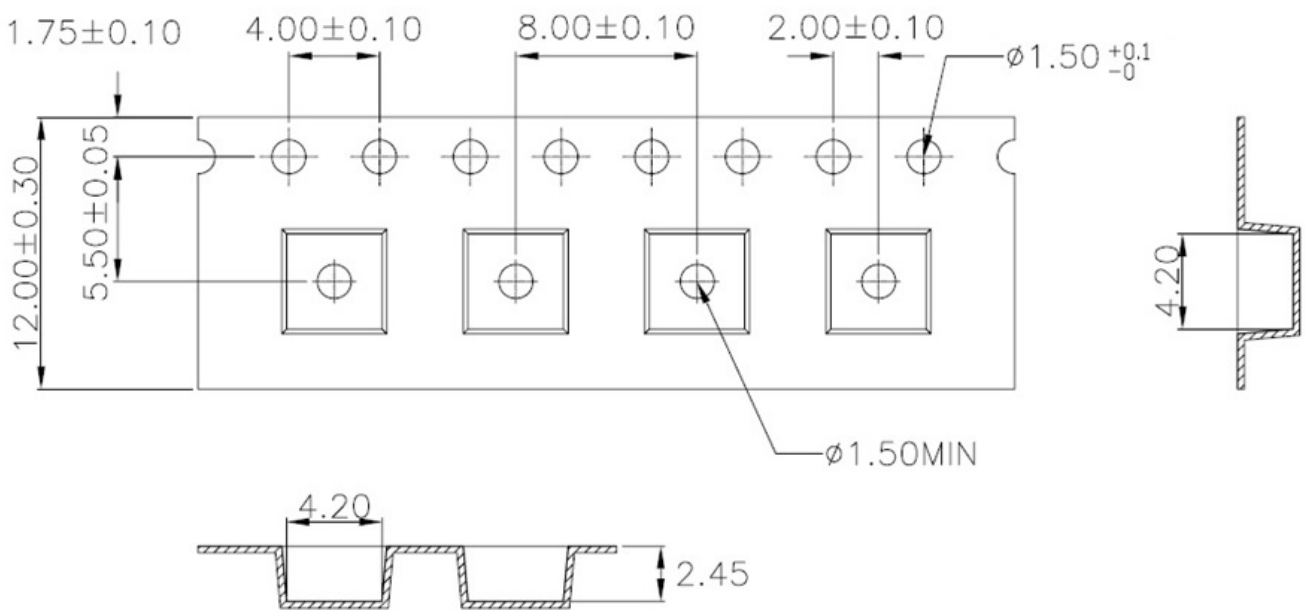
Fig. Solder Pad Layout.

Shipping Package Style

Tapping Dimension Packaging Specification

- Moisture proof bag.
- 1 Reel/bag.
- Q'ty : 700(MAX) / 7 inch Reel
- Q'ty : 2500(MAX) / 13 inch Reel

Unit : mm



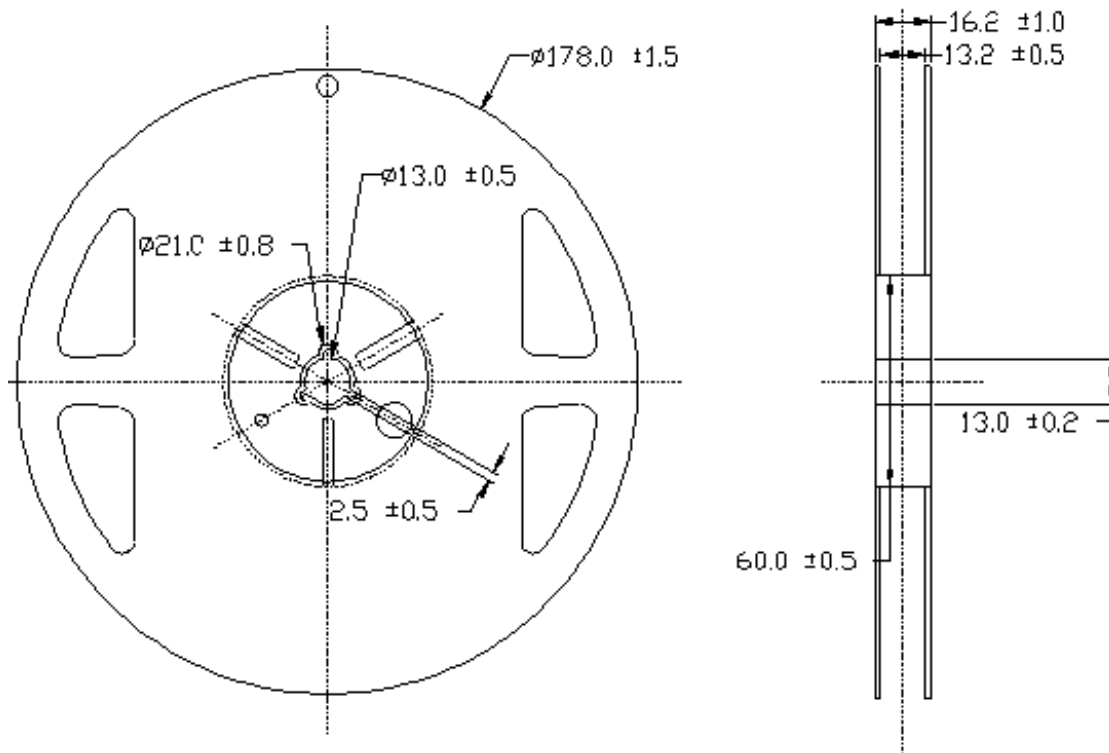
7 inch Reel Package

| Box Type | Dimension (mm) | Reel/Box | 100°Lens Type (Pcs) |
|---------------|----------------|-------------|---------------------|
| Small Box(S) | 230x85x265 | 5 Reel/Box | 3500 |
| Middle Box(M) | 470x265x270 | 30 Reel/Box | 21000 |
| Large Box(L) | 470x435x270 | 50 Reel/Box | 35000 |

Reel Packaging :

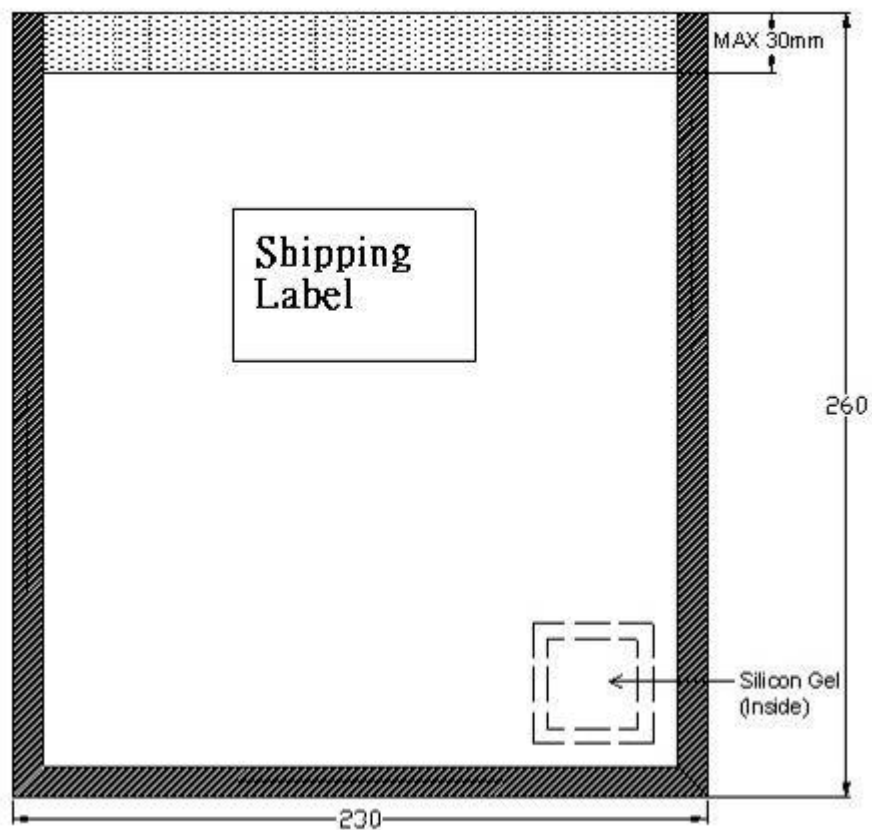
Reel Part :

Unit : mm



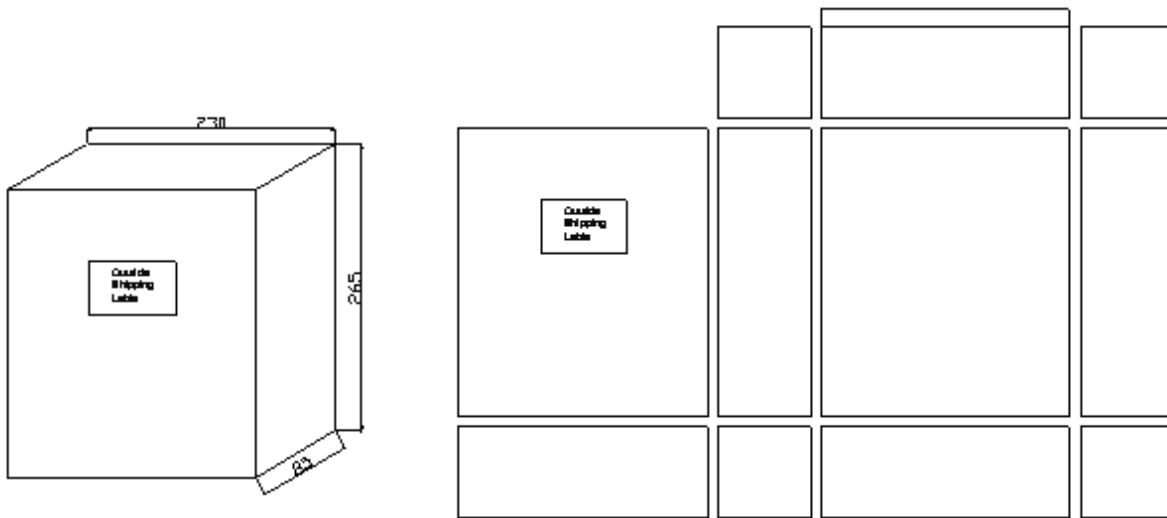
Anti Statistic Bag :

Unit : mm



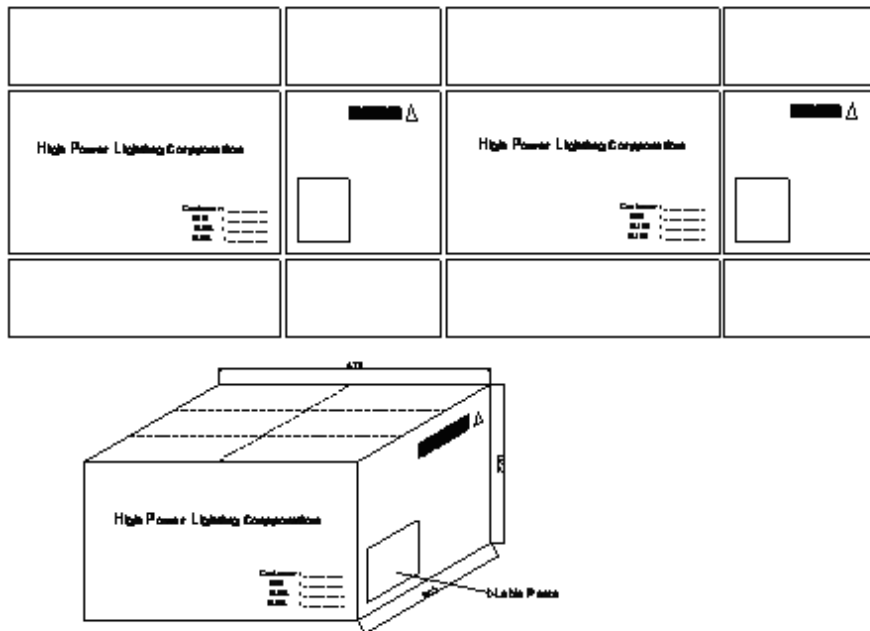
Small Box

Unit : mm



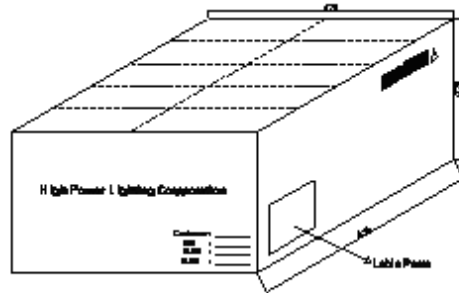
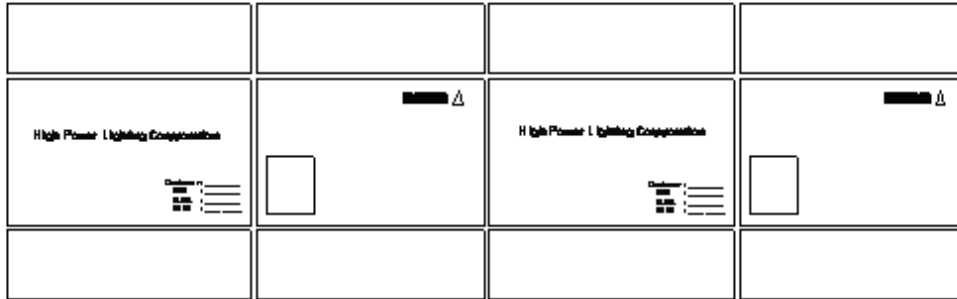
Middle Box

Unit : mm



Large Box

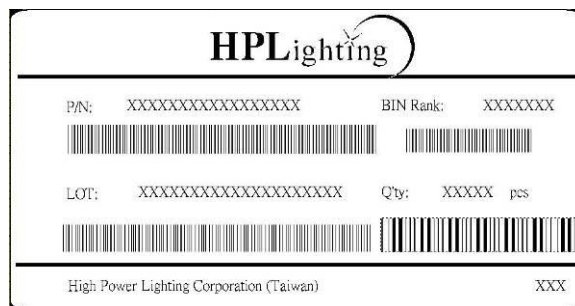
Unit : mm



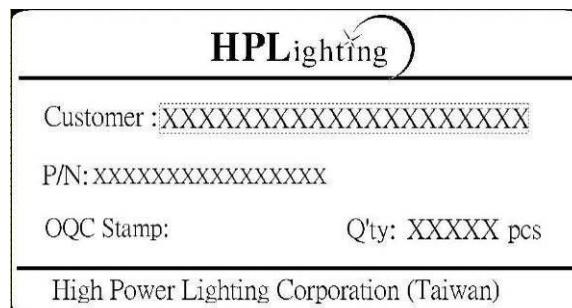
Label Formation

Unit : mm

70mm



40mm



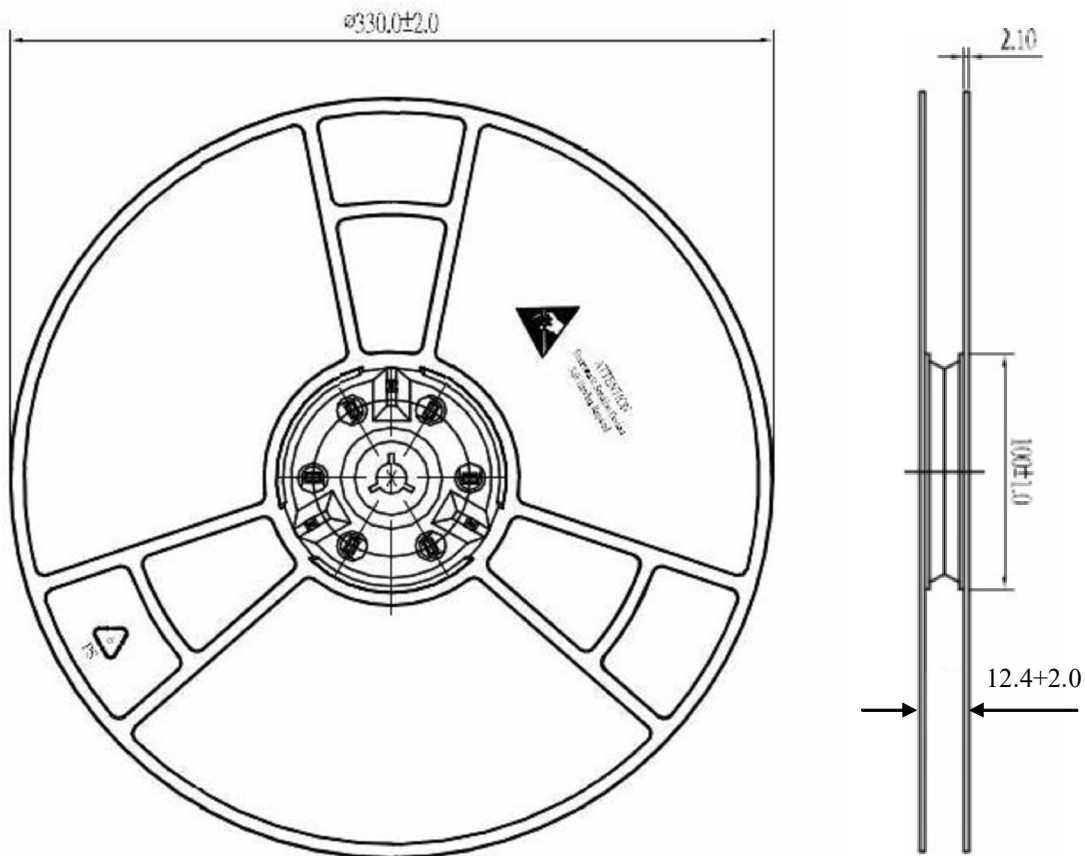
13 inch Reel Package

| Box Type | Dimension (mm) | Reel/Box | 100°Lens Type (Pcs) |
|---------------|-----------------|-------------|---------------------|
| Small Box(S) | 415 x 380 x 95 | 5 Reel/Box | 12500 |
| Middle Box(M) | 415 x 380 x 290 | 15 Reel/Box | 37500 |
| Large Box(L) | 780 x 432 x 310 | 30 Reel/Box | 75000 |

Reel Packaging :

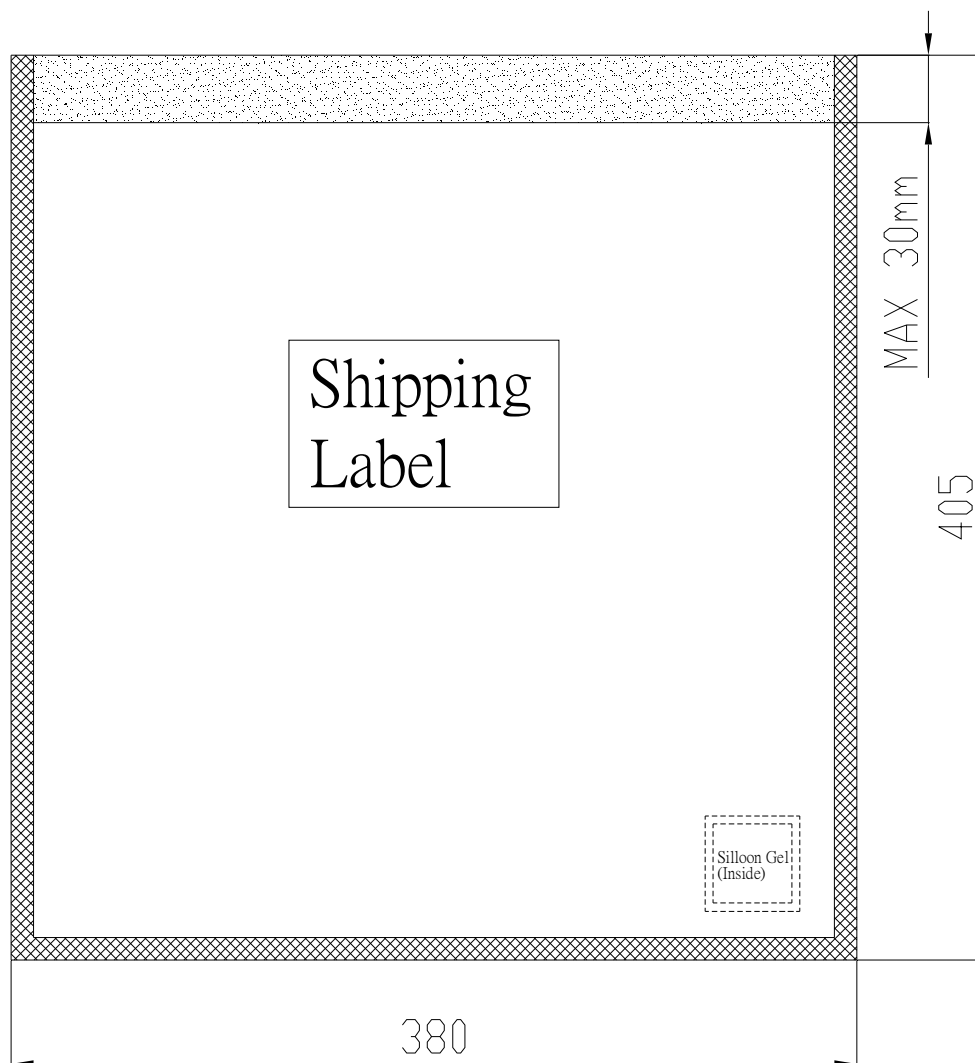
Reel Part :

Unit : mm



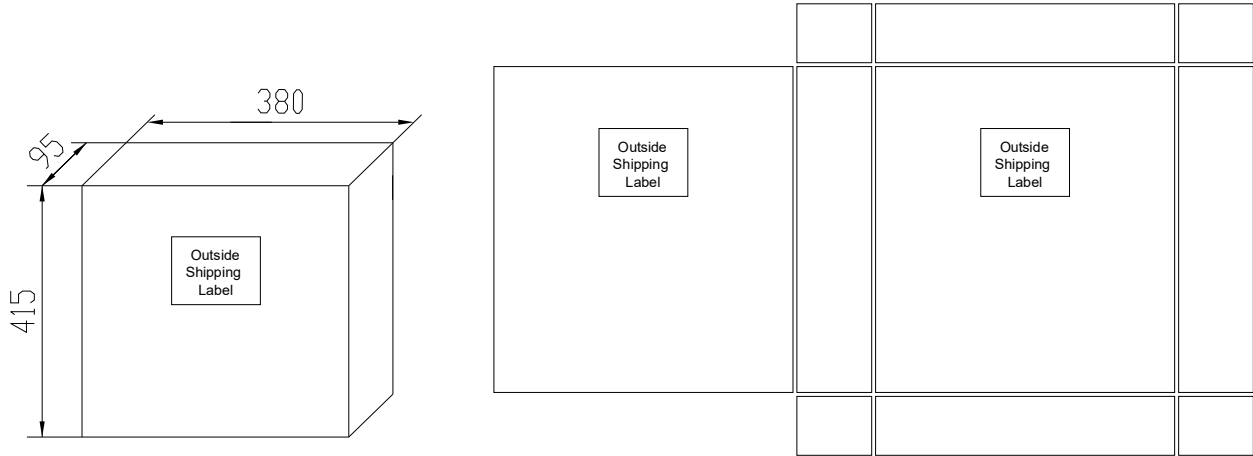
Anti Statistic Bag :

Unit : mm



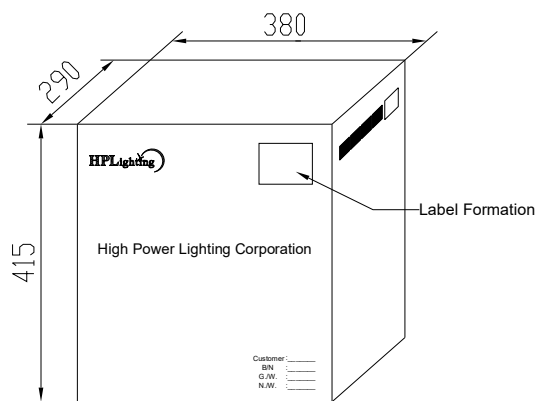
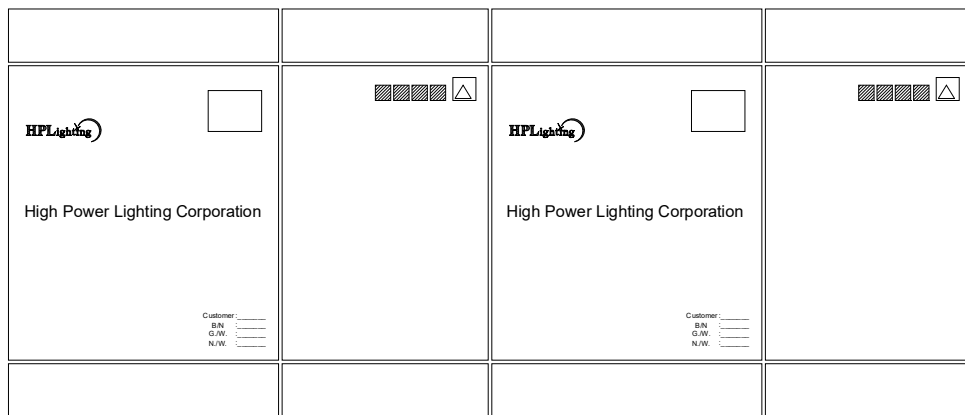
Small Box

Unit : mm



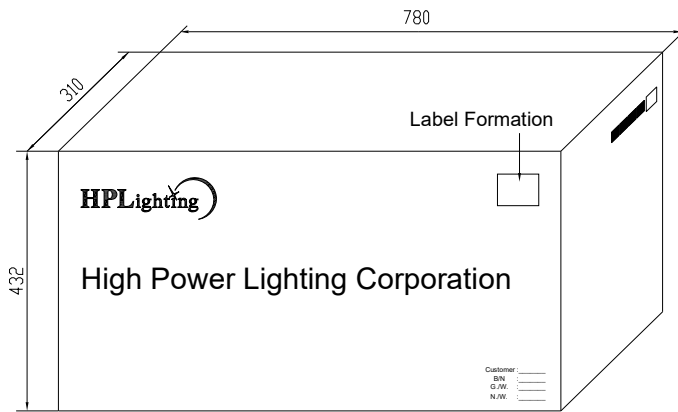
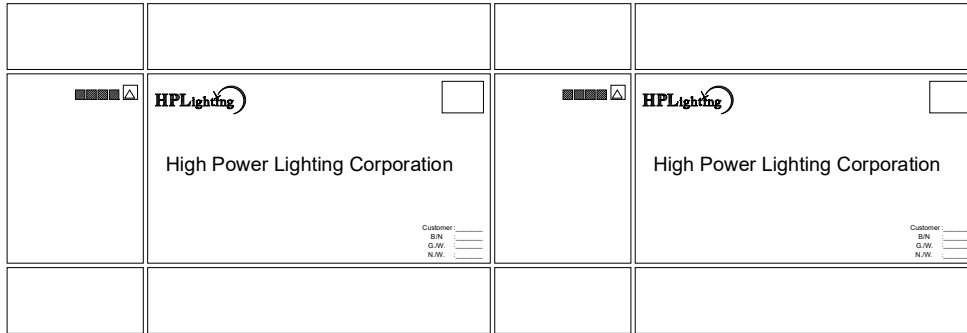
Middle Box

Unit : mm




Large Box

Unit : mm



Label Formation

70mm

| | |
|--|-------------------|
| HPLighting | |
| P/N: XXXXXXXXXXXXXXXXX | BIN Rank: XXXXXXX |
|  | |
| LOT: XXXXXXXXXXXXXXXXXXXXX | Q'ty: XXXXX pcs |
|  | |
| High Power Lighting Corporation (Taiwan) | XXX |

40mm

| | |
|--|-----------------|
| HPLighting | |
| Customer :XXXXXXXXXXXXXXXXXXXXXX | |
| P/N: XXXXXXXXXXXXXXXXX | |
| OQC Stamp: | Q'ty: XXXXX pcs |
| High Power Lighting Corporation (Taiwan) | |

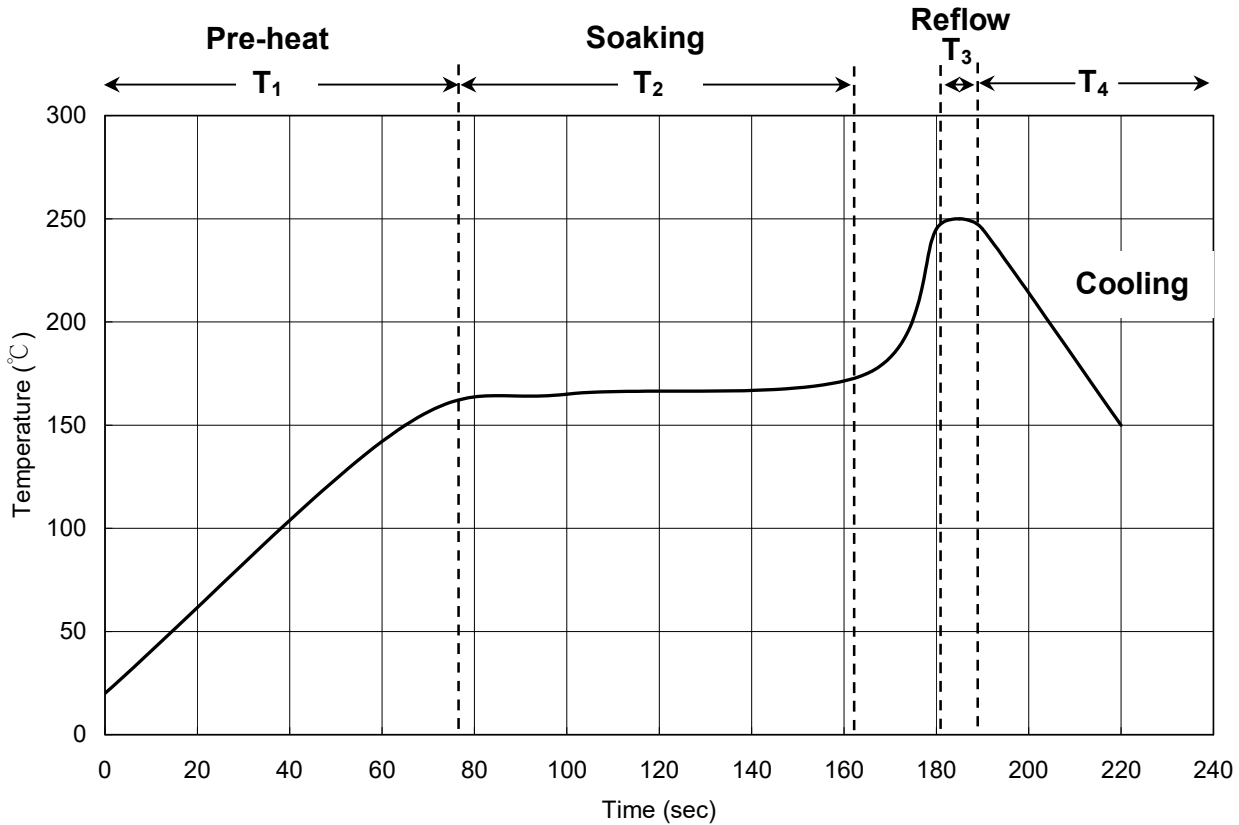
Qualification Reliability Testing

| Classification | Test Item | Test conditions | Reference Standard |
|--------------------|--|---|--|
| Endurance Test | Operation Life | $I_F = 1000\text{mA}$ $T_a = 25^\circ\text{C}$ Test Duration = 1000hrs | MIL-STD-750: 1026 MIL-STD-883: 1005 JIS C 7021: B-1 |
| | High Temperature High Humidity Storage | $T_a = 85\pm 5^\circ\text{C}$ RH = 85±5% Test Duration = 1000hrs | MIL-STD-202: 103B JIS C 7021: B-11 |
| | High Temperature Storage | $T_a = 105\pm 5^\circ\text{C}$ Test Duration = 1000hrs | MIL-STD-202: 1008 JIS C 7021: B10 |
| | Low Temperature Storage | $T_a = -40\pm 5^\circ\text{C}$ Test Duration = 1000hrs | JIS C 7021: B-12 |
| Environmental Test | Temperature Cycling | $-30^\circ\text{C} \sim 25^\circ\text{C} \sim 105^\circ\text{C} \sim 25^\circ\text{C}$ 30min 5min 30min 5min Test Duration = 10 cycle | MIL-STD-202: 107D MIL-STD-750: 1051 MIL-STD-883: 1010 JIS C 7021: A-4 |
| | Thermal Shock | $-30\pm 5^\circ\text{C} \sim 105\pm 5^\circ\text{C}$ 30min 30min Test Duration = 10 cycle | MIL-STD-202: 107D MIL-STD-750: 1051 MIL-STD-883: 1011 |
| | Solder Resistance | $T_{sol} = 260\pm 5^\circ\text{C}$ Dwell Time = 10sec | MIL-STD-202: 210A MIL-STD-750: 2031 JIS C 7021: A-1 |

| Measuring Items | Symbol | Measuring Conditions | Failure Criteria |
|-----------------|---------|-----------------------|---------------------|
| Forward voltage | V_F | $I_F = 1000\text{mA}$ | V_F shift > 10% |
| Luminous | $I_v\%$ | $I_F = 1000\text{mA}$ | $I_v\%$ shift > 10% |

Recommended Solder Profile

Soldering Recommended soldering conditions:



| | | |
|----------------|----------------------------|------------------|
| T ₁ | Ramp up rate | 1.0 ~ 3.0 °C/sec |
| | Pre-heat time | 50 ~ 80 sec |
| T ₂ | Soaking temperature | 155 ~ 185 °C |
| | Dwell time during soaking | 60 ~ 120 sec |
| T ₃ | Reflow temperature | 240 ~ 250 °C |
| | Reflow time | Max 10 sec |
| | Ramp up rate during reflow | 1.2 ~ 2.3 °C/sec |
| T ₄ | Cooling | 1.0 ~ 6.0 °C/sec |

Note: Suggest using Sn96Ag3Cu0.5 lead free solder.

Cleaning

Use alcohol-based cleaning solvents such as isopropyl alcohol to clean the LED if necessary.



This page is intended left blank.

For the latest product information, call us or visit: www.hplighting.com.tw

©2015, High Power Lighting Corporation(HPL), all rights reserved. This document contains information that is proprietary to HPL and may be duplicated in whole or in part by the original recipient for the internal business purposes only, provided that this entire notice appears in all copies. In accepting this document, the recipient agrees to make every reasonable effort to prevent unauthorized use of this information.

5F, No 173-8, Yung-Fon Road, Tu-Cheng District, New Taipei City, Taiwan, R.O.C.
TEL: +886-2-8262-8886 FAX : +886-2-8262-8885

HPLighting Corp.

www.hplighting.com.tw

The information in this document is subject to change without notice.

HPL-H40CJ1C0

- 25/25- --