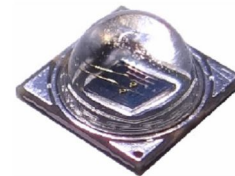


# Specification For IR Series

## HPL-H40DK1L3



### Features

- Dimension : 4.0mm(L)×4.0mm(W)
- High Radiant Flux type
- All Metal Design Cu Substrate with Silicone Lens
- Exceed narrow beam angle 25°
- Low thermal resistance
- The AlGaAs/ AlGaAs , AlGaAs/ GaAs Chip inside

### Applications

- IrDA
- Encoder
- Data Communication
- CCTV

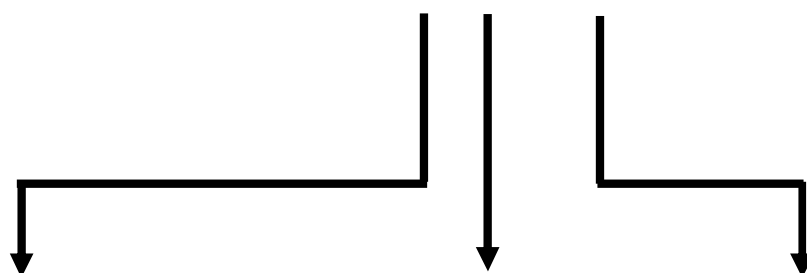
5F, No 173-8, Yung-Fon Road, Tu-Cheng District, New Taipei City, Taiwan, R.O.C.  
TEL: +886-2-8262-8886 FAX : +886-2-8262-8885

## Table of Contents

General Information .....	3
Part Number Matrix .....	4
Absolute Maximum Ratings .....	4
Initial Electrical/Optical Characteristics .....	5
Forward Voltage .....	5
Reverse Current .....	5
Radiant Flux .....	5
Radiant Intensity .....	5
Peak wavelength .....	5
Spectra half-width .....	5
Typical Radiation Pattern .....	6
Bin Code List for Reference .....	6
Part Number Formation .....	7
Characteristic Diagram .....	8
Outline Dimension .....	10
Pad Configuration .....	10
Recommended Solder Pattern .....	12
Shipping Package Style .....	13
Qualification Reliability Testing .....	23
Recommended Solder Profile .....	24

General Information

# HPL - H40DK1L3



**Beam Angle-**

Exceed narrow beam angle

**Wavelength-**

K : IR 940nm

**Power-**

L : 2 W

## Part Number Matrix

Wavelength \ Type	25° Lens	25° Lens & Star
IR 940	HPL-H40DK1L3	HPL-H40XK1L3

## Absolute Maximum Ratings

(T<sub>j</sub>=25°C)

Parameter	Symbol	Rating	Unit
Power Dissipation	P	1.75	W
Forward Current	I <sub>F</sub>	700	mA
Forward Pulse Current (1/10 Duty Cycle, 400msec Pulse Width)	I <sub>FP</sub>	1000	mA
Thermal Resistance, Junction-Case	R <sub>th, J-C1</sub>	5	°C/W
Reverse Voltage	V <sub>R</sub>	5	V
LED Junction Temperature	T <sub>J</sub>	125	°C
Operating Temperature Range	T <sub>opr</sub>	- 40°C to + 80°C	
Storage Temperature Range	T <sub>stg</sub>	- 40°C to + 120°C	
Soldering Condition	T <sub>sol</sub>	260°C For 10 Seconds	

Note: 1. The thermal resistance value is measured with MCPCB (Star).

## Initial Electrical/Optical Characteristics

- Forward Voltage** (T<sub>j</sub>=25°C)

Wavelength	Forward Voltage					
	Symbol	MIN.	TYP.	MAX.	Test Condition	Unit
IR 940nm	V <sub>F</sub>	-	2	-	I <sub>F</sub> = 700mA	V

- Reverse Current** (T<sub>j</sub>=25°C)

Wavelength	Reverse Current					
	Symbol	MIN.	TYP.	MAX.	Test Condition	Unit
IR 940nm	I <sub>R</sub>	-	-	100	V <sub>R</sub> = 5V	μA

- Radiant Flux** (T<sub>j</sub>=25°C)

Wavelength	Radiant Flux					
	Symbol	MIN.	TYP.	MAX.	Test Condition	Unit
IR 940nm	Φ <sub>e</sub>	350	500	-	I <sub>F</sub> = 700mA	mW

- Radiant Intensity** (T<sub>j</sub>=25°C)

Wavelength	Radiant Intensity					
	Symbol	MIN.	TYP.	MAX.	Test Condition	Unit
IR 940nm	I <sub>e</sub>	-	900	-	I <sub>F</sub> = 700mA	mW/sr

- Peak wavelength** (T<sub>j</sub>=25°C)

Wavelength	Wavelength					
	Symbol	MIN.	TYP.	MAX.	Test Condition	Unit
IR 940nm	λ <sub>p</sub>	930	-	950	I <sub>F</sub> = 700mA	nm

- Spectra half-width** (T<sub>j</sub>=25°C)

Wavelength	Wavelength					
	Symbol	MIN.	TYP.	MAX.	Test Condition	Unit
IR 940nm	Δλ	-	40	-	I <sub>F</sub> = 700mA	nm

● Typical Radiation Pattern

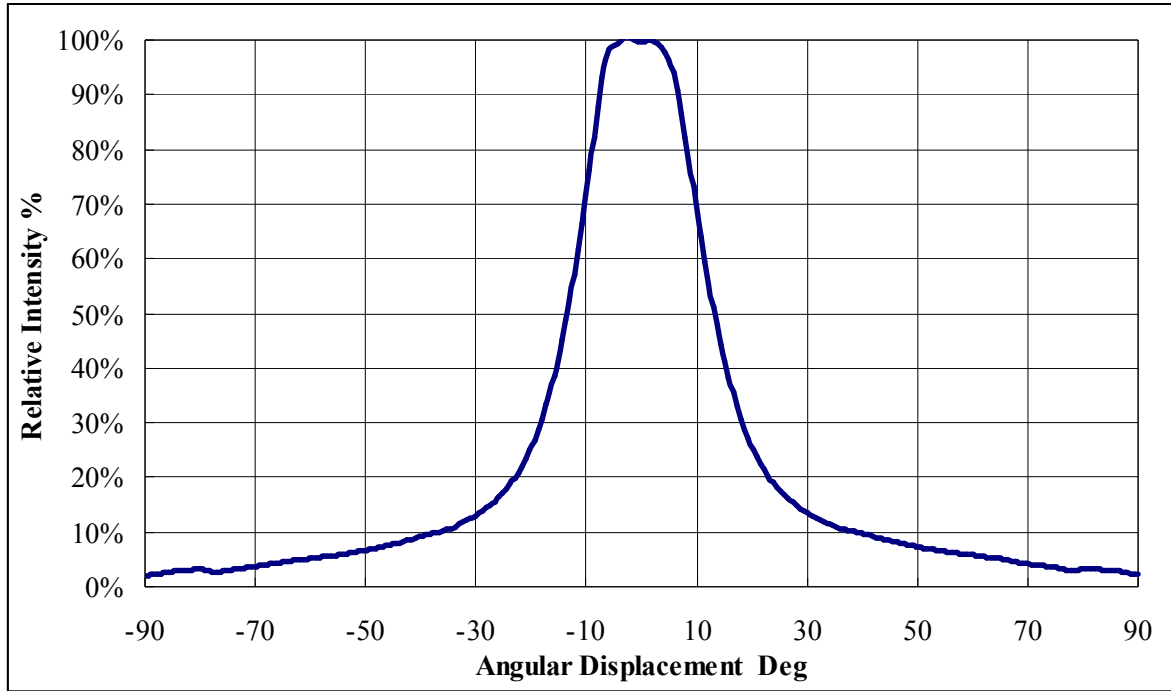


Fig. Typical Representative Spatial Radiation Pattern : 25 degree

● Bin Code List for Reference

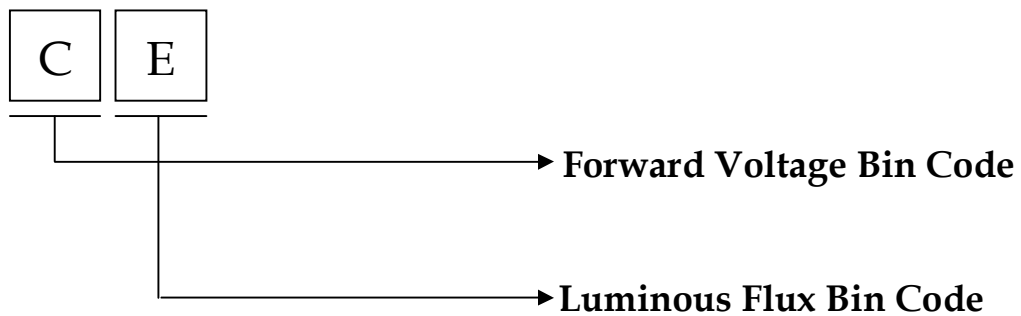
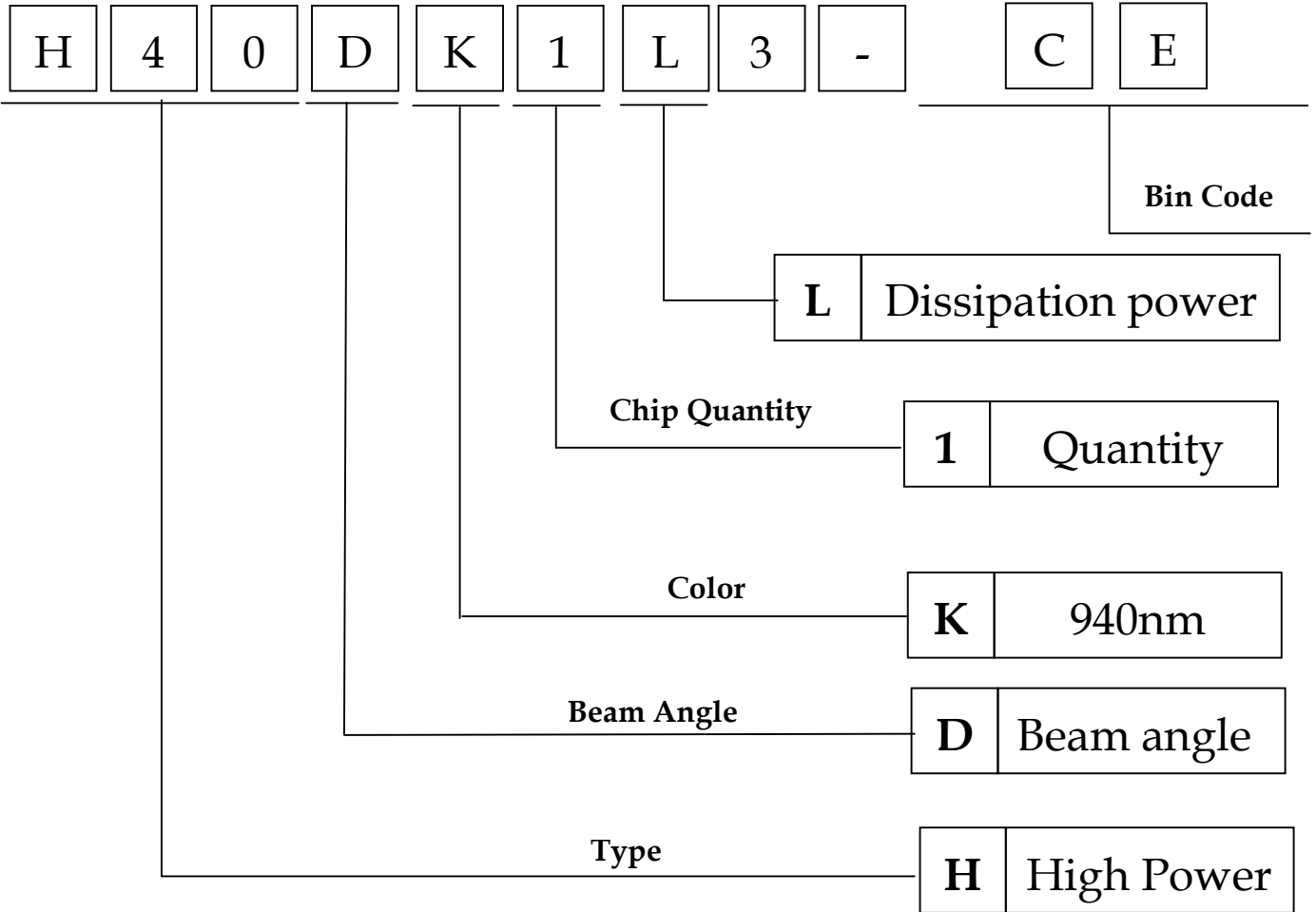
(Tj=25°C)

Item	Bin Code	Symbol	Condition	Min.	Max.	Unit
Forward Voltage <sup>1</sup>	B	V <sub>F</sub>	I <sub>F</sub> = 700 [mA]	1.59	1.83	V
	C			1.83	2.07	
	D			2.07	2.31	
	E			2.31	2.55	
Radiant Flux <sup>2</sup>	D	Φ <sub>e</sub>	I <sub>F</sub> = 700 [mA]	350	425	mW
	E			425	500	
	F			500	600	
	G			600	700	

Note

1. Forward voltage measurement allowance is ± 0.1V.
2. Radiant flux measurement allowance is ± 10%.

## Part Number Formation



## Characteristic Diagram

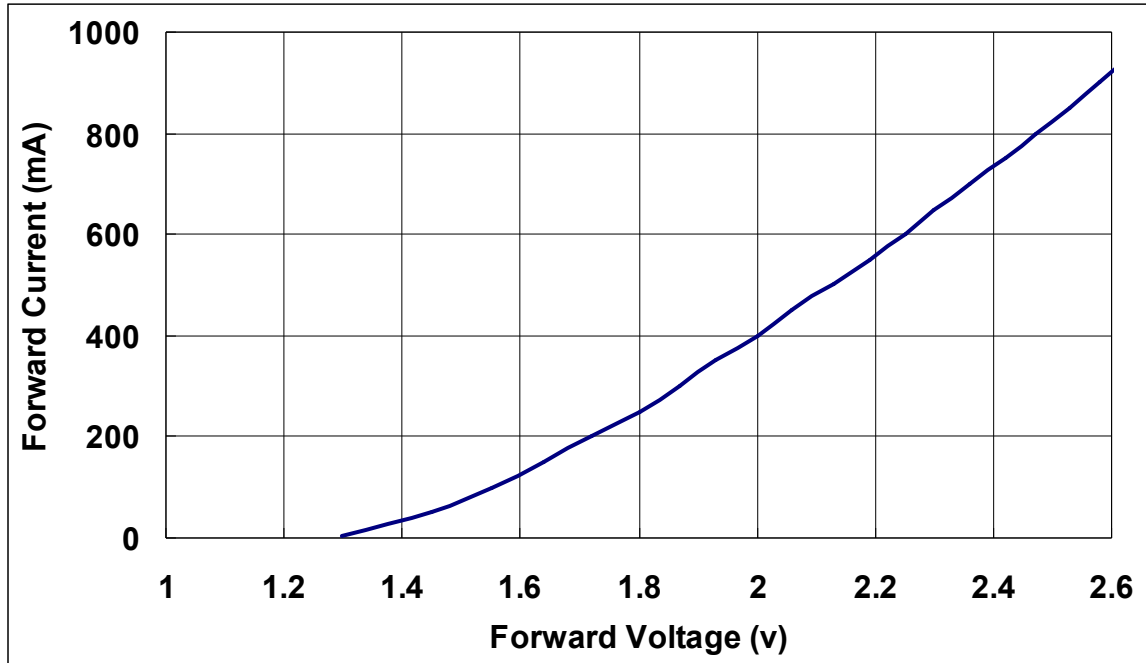


Fig. Forward Current vs. Forward Voltage

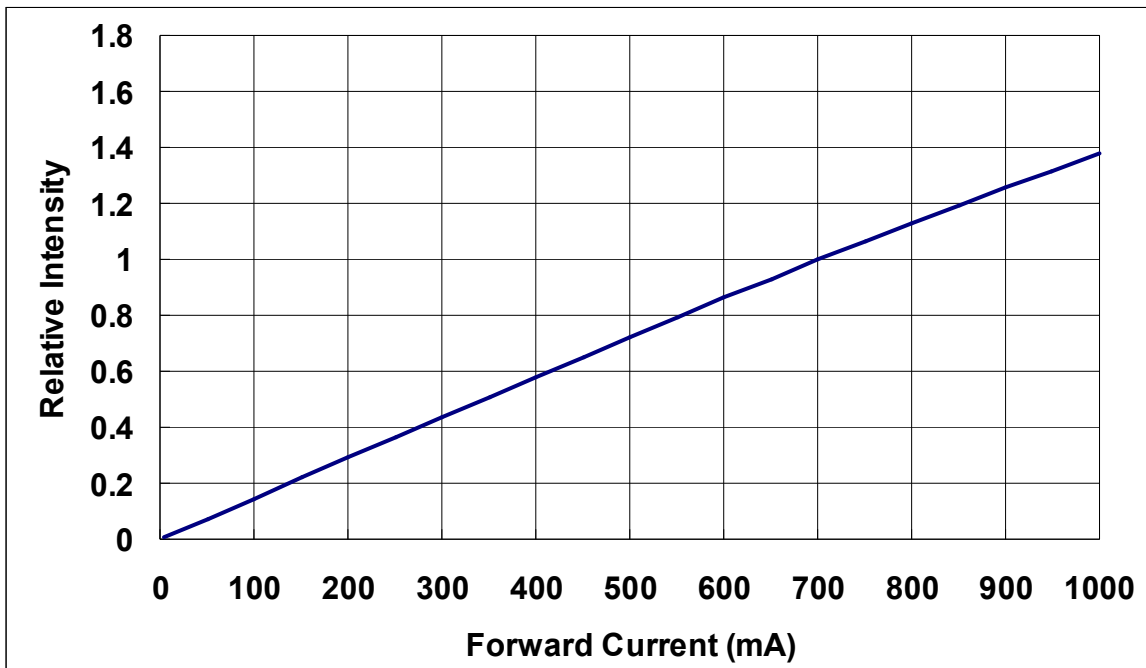
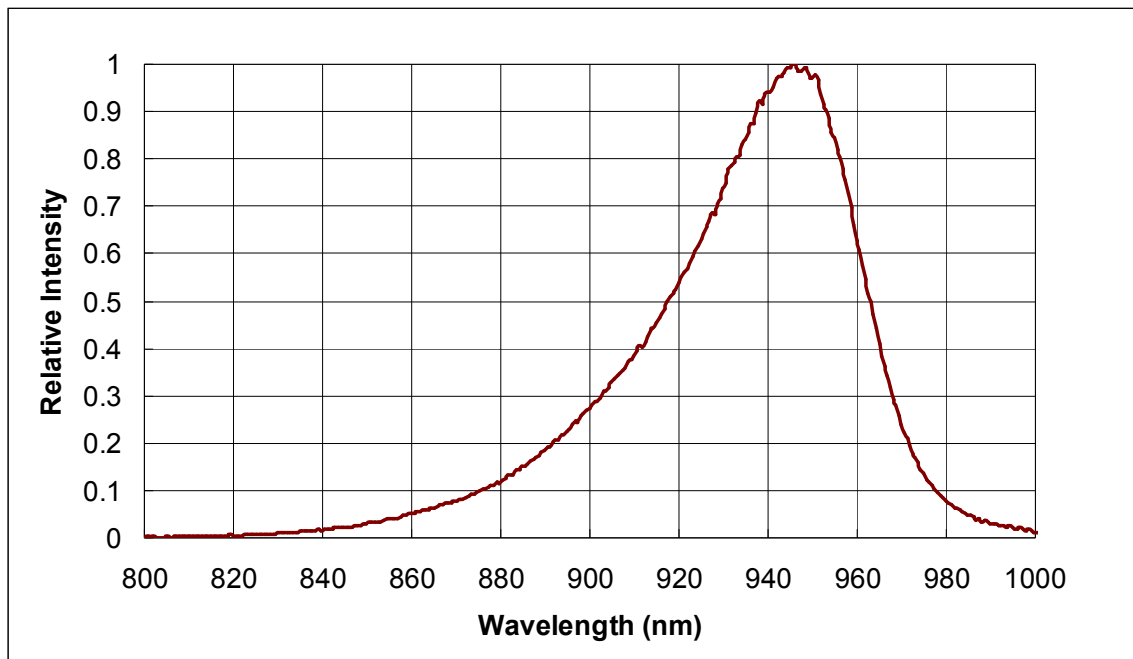


Fig. Relative Intensity vs. Forward Current.





**Fig. Typical Relative Intensity vs. wavelength**

## Outline Dimension

Unit : mm

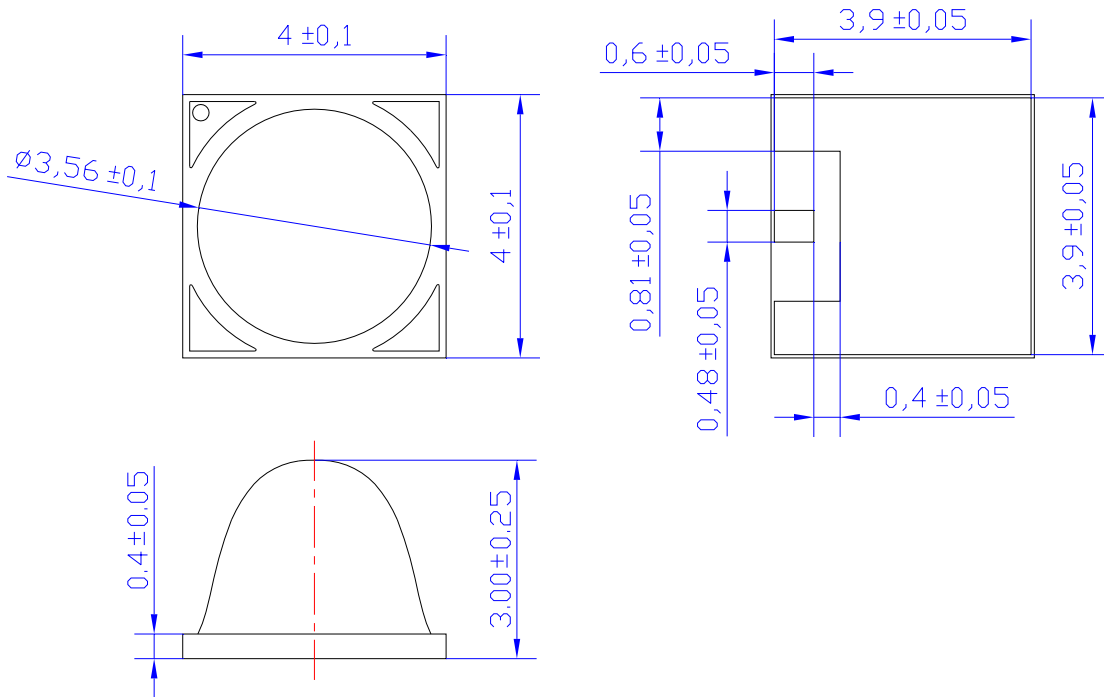
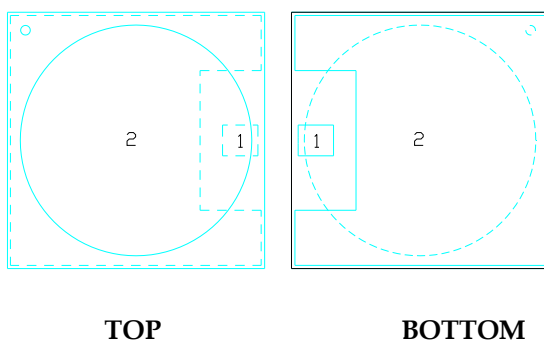


Fig. Package Outline Drawing.

### ● Pad Configuration

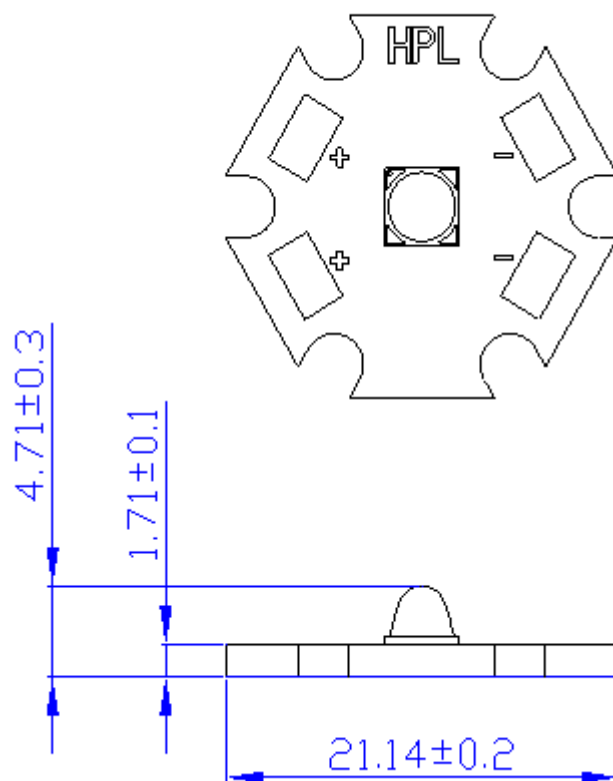


PAD	Function
1	Cathode
2	Anode、Thermal

Fig. Pad configuration.

Note: Please don't put conductive material on the top surface of LEDs.

**HPL-H40XK1L3**

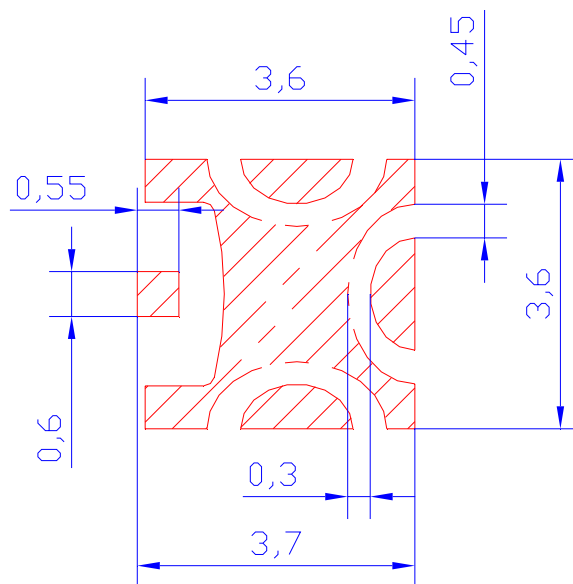
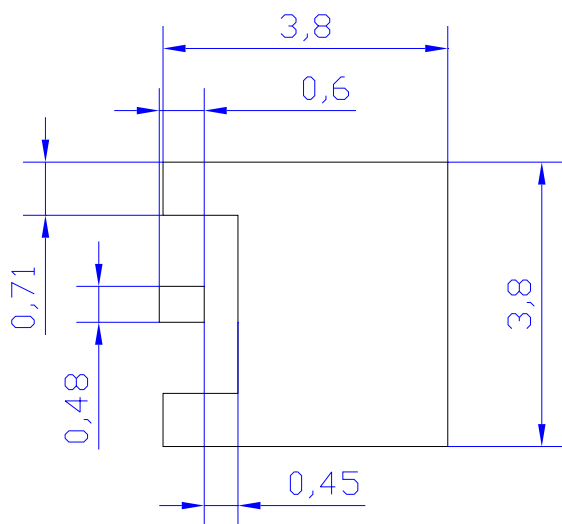


**Fig. Assembly Outline Drawing.**

### Recommended Solder Pattern

Unit : mm

Tolerance±0.05



MCPCB LAYOUT

SOLDER MASK

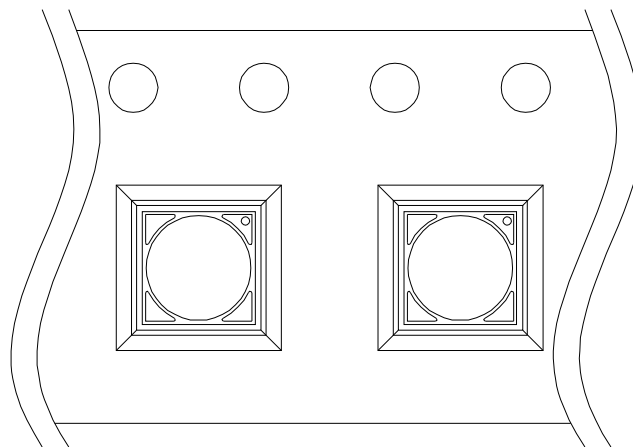
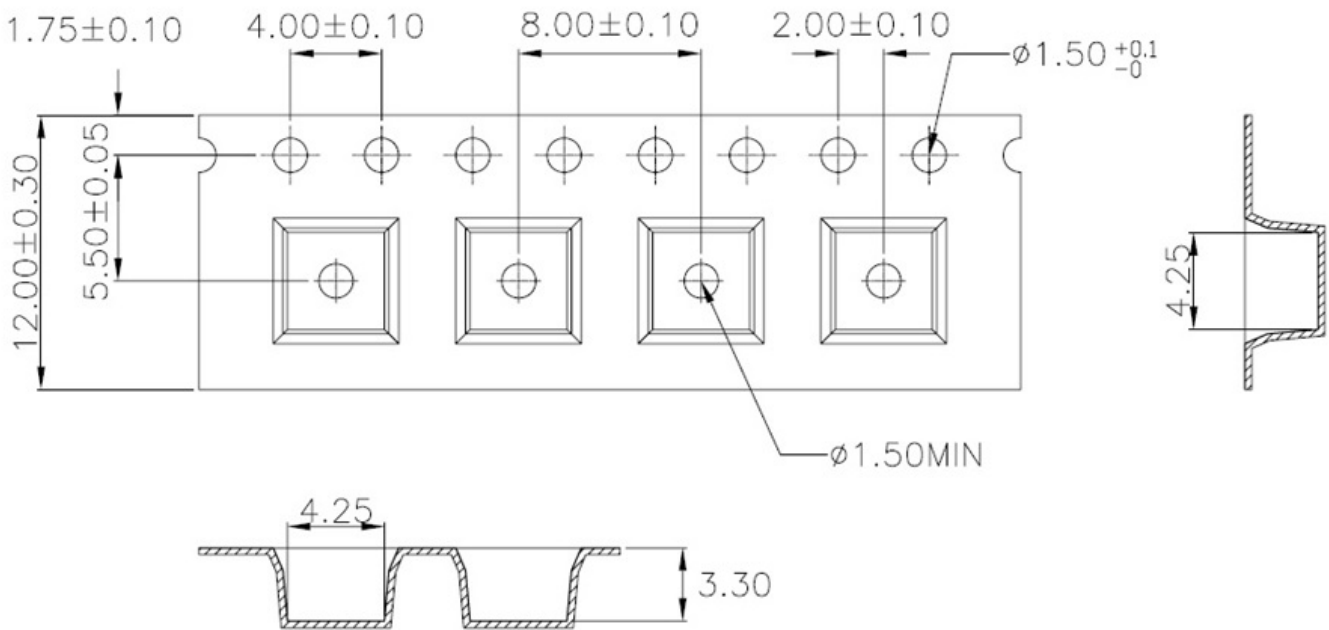
Fig. Solder Pad Layout.

## Shipping Package Style

### Tapping Dimension Packaging Specification

- Moisture proof bag.
- 1 Reel/bag.
- Q'ty : 700(MAX) / 7 inch Reel
- Q'ty : 2500(MAX) / 13 inch Reel

Unit : mm



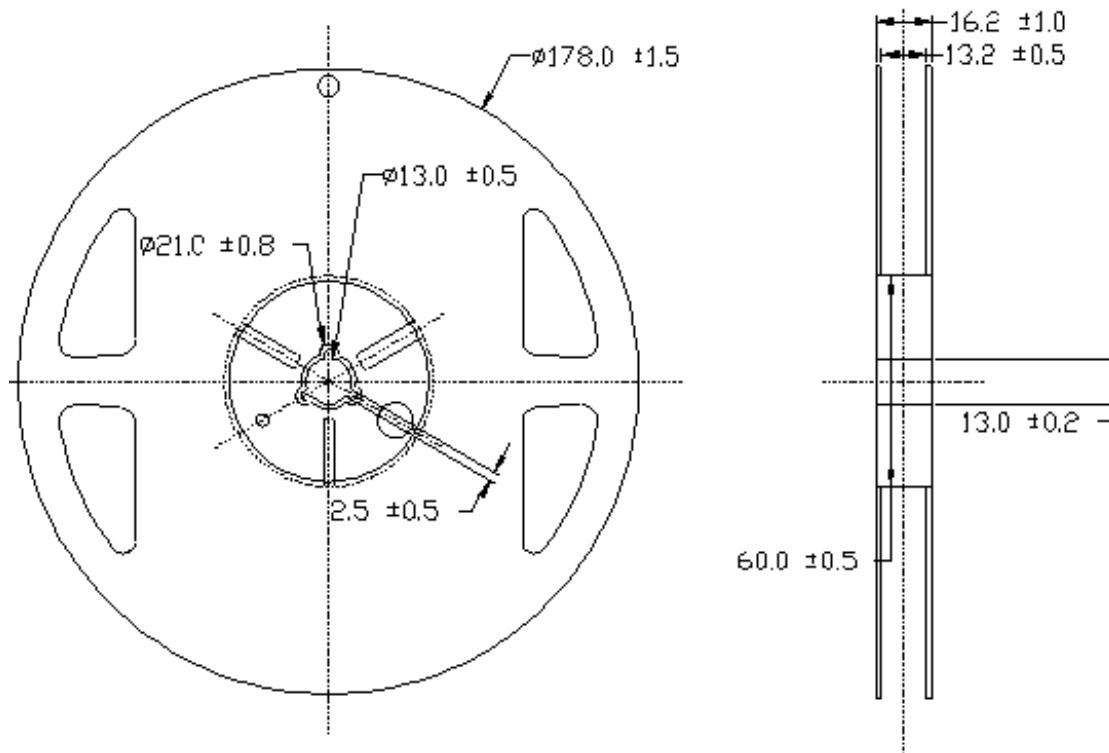
## 7 inch Reel Package

Box Type	Dimension (mm)	Reel/Box	25°Lens Type (Pcs)
Small Box(S)	230x85x265	5 Reel/Box	3500
Middle Box(M)	470x265x270	30 Reel/Box	21000
Large Box(L)	470x435x270	50 Reel/Box	35000

### Reel Packaging :

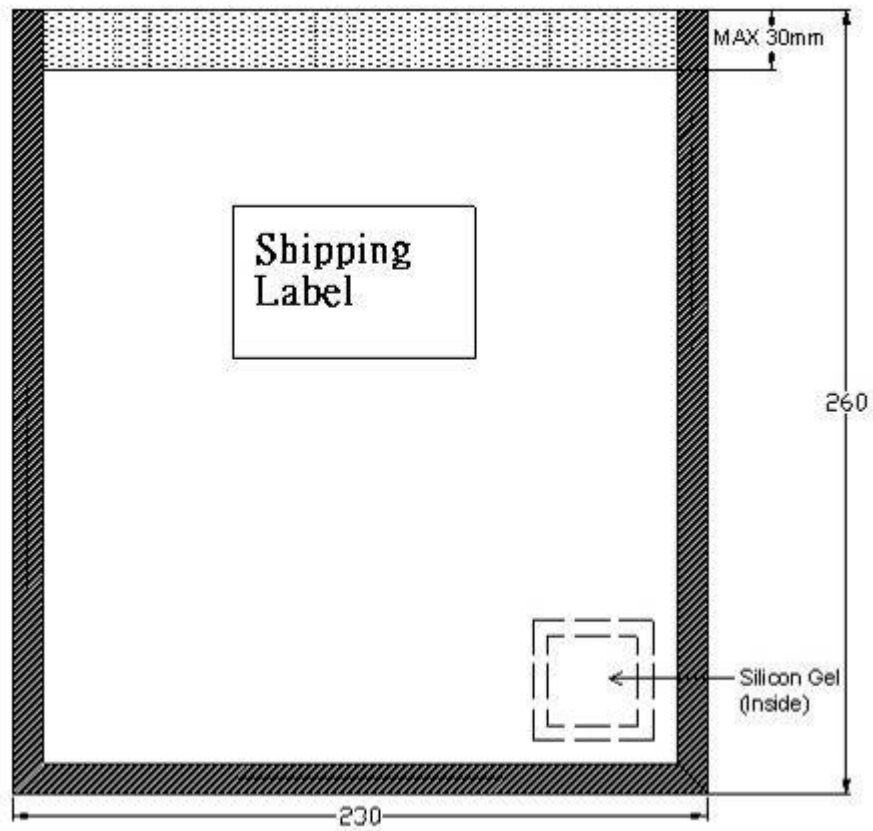
Reel Part :

Unit : mm



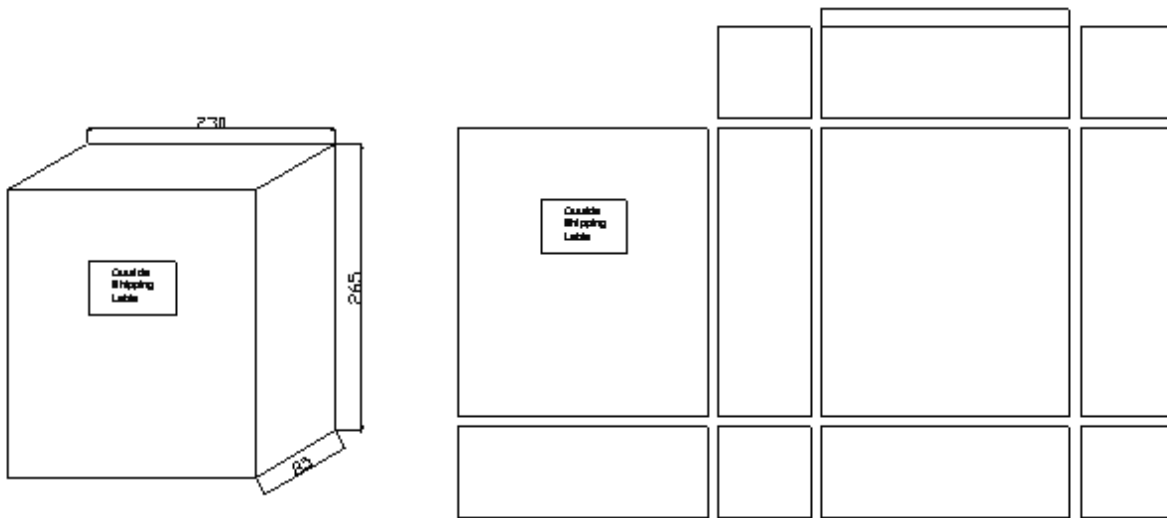
**Anti Statistic Bag :**

**Unit : mm**



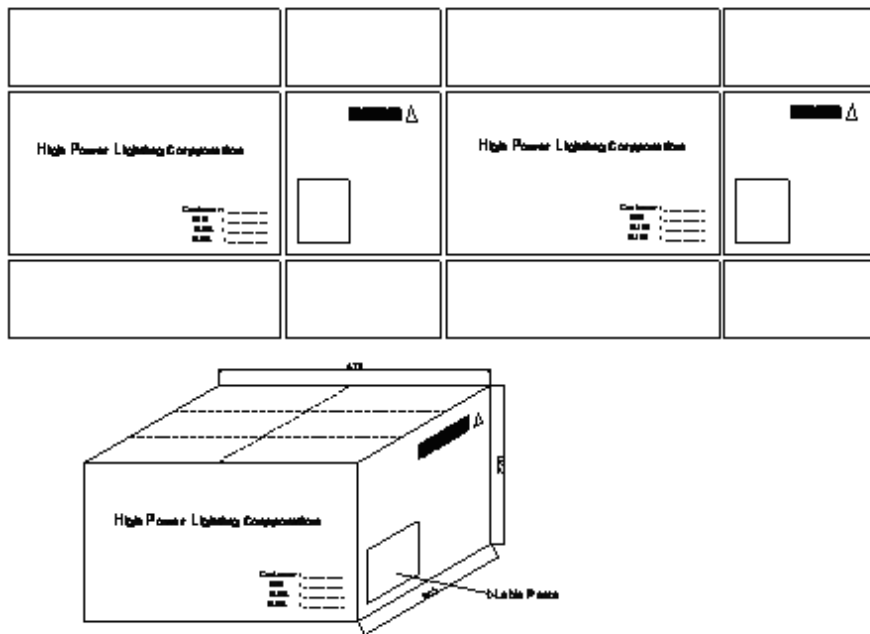
**Small Box**

Unit : mm



**Middle Box**

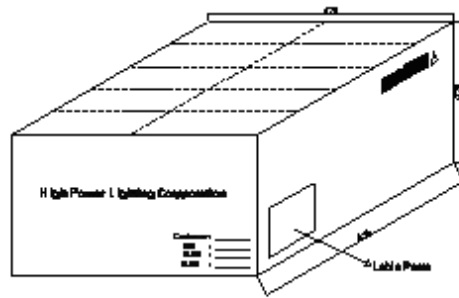
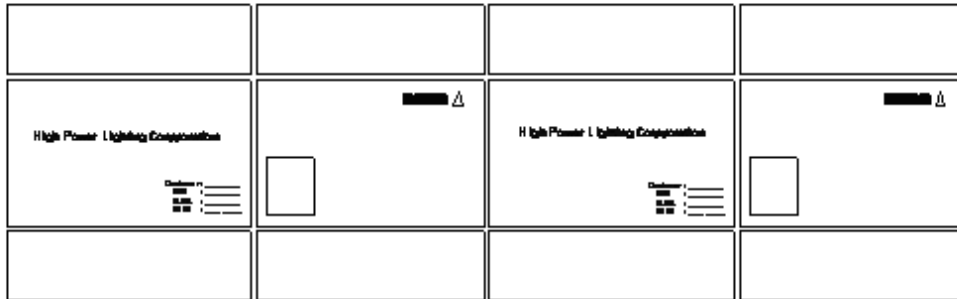
Unit : mm





Large Box

Unit : mm

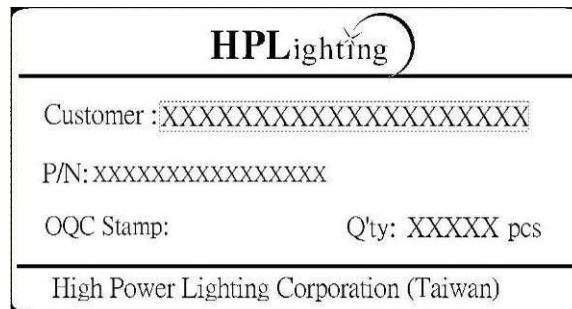
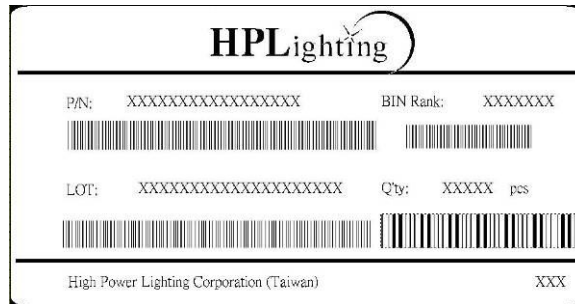


Label Formation

Unit : mm

70mm

40mm



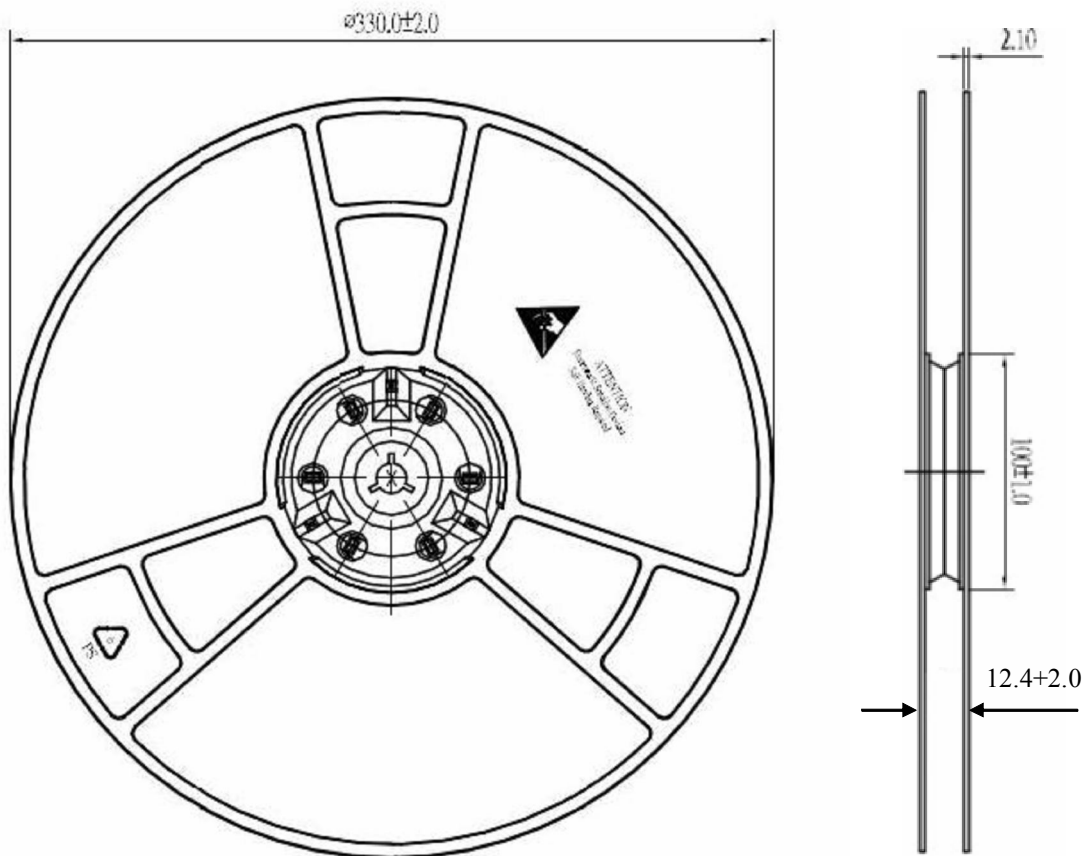
### 13 inch Reel Package

Box Type	Dimension (mm)	Reel/Box	25°Lens Type (Pcs)
Small Box(S)	415 x 380 x 95	5 Reel/Box	12500
Middle Box(M)	415 x 380 x 290	15 Reel/Box	37500
Large Box(L)	780 x 432 x 310	30 Reel/Box	75000

### Reel Packaging :

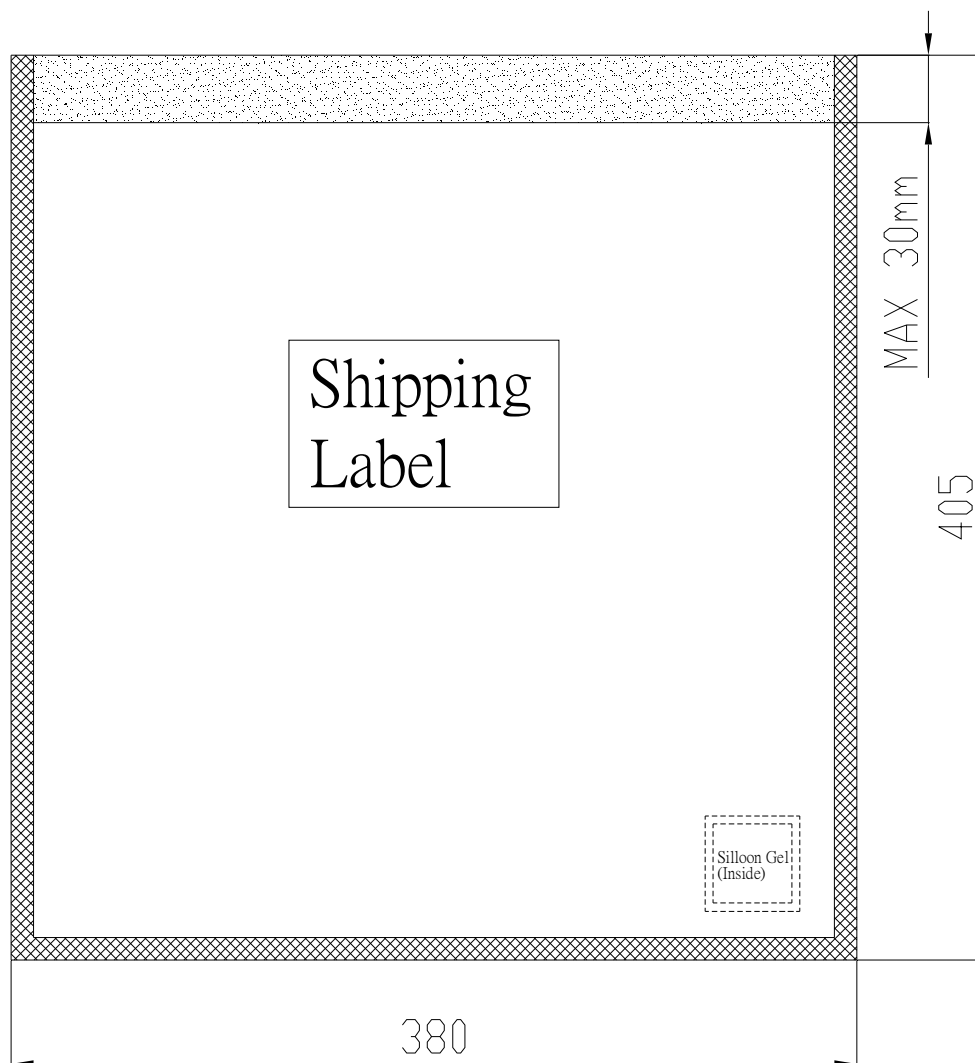
Reel Part :

Unit : mm



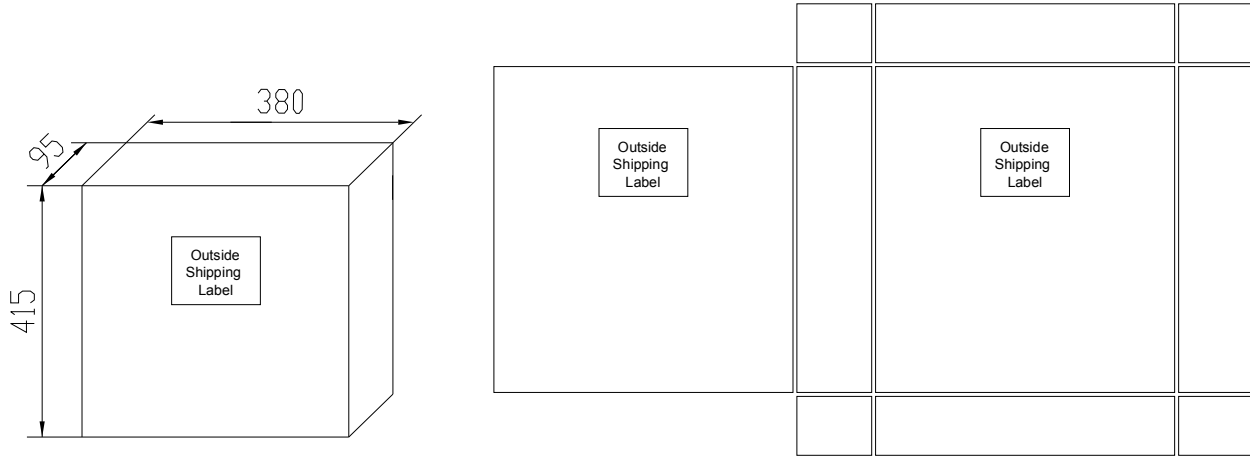
**Anti Statistic Bag :**

**Unit : mm**



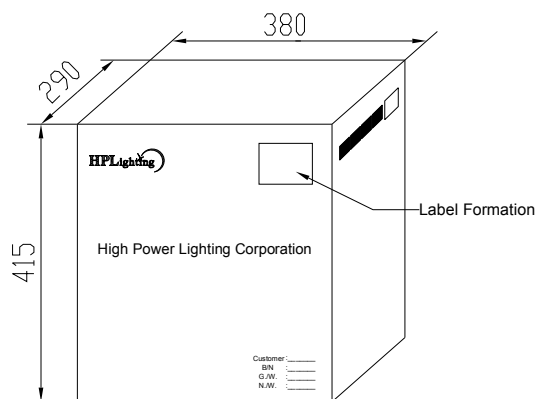
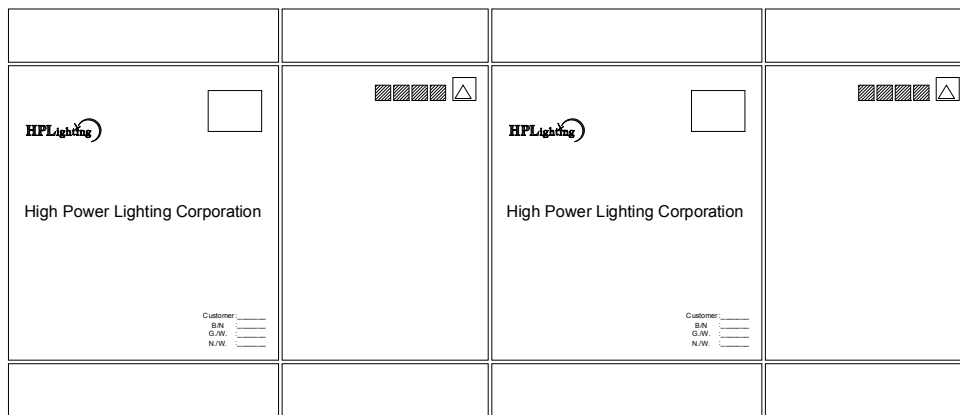
**Small Box**

Unit : mm



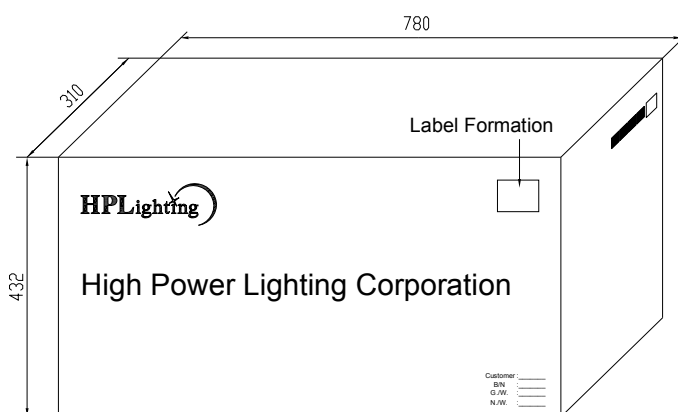
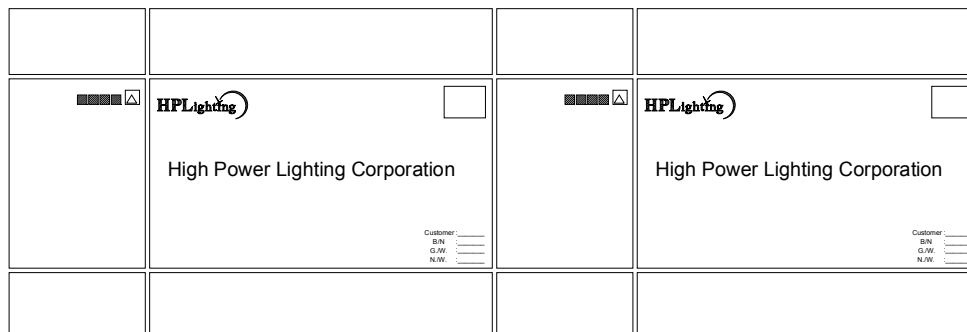
**Middle Box**

Unit : mm



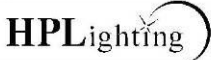


Large Box

Unit : mm

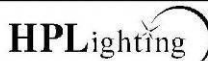


### Label Formation

70mm

	
P/N: XXXXXXXXXXXXXXXXX	BIN Rank: XXXXXXX
	
LOT: XXXXXXXXXXXXXXXXXXXX	Q'ty: XXXXX pcs
	
High Power Lighting Corporation (Taiwan)	XXX

40mm

	
Customer :XXXXXXXXXXXXXXXXXXXXXX	
P/N: XXXXXXXXXXXXXXXXX	
OQC Stamp:	Q'ty: XXXXX pcs
High Power Lighting Corporation (Taiwan)	

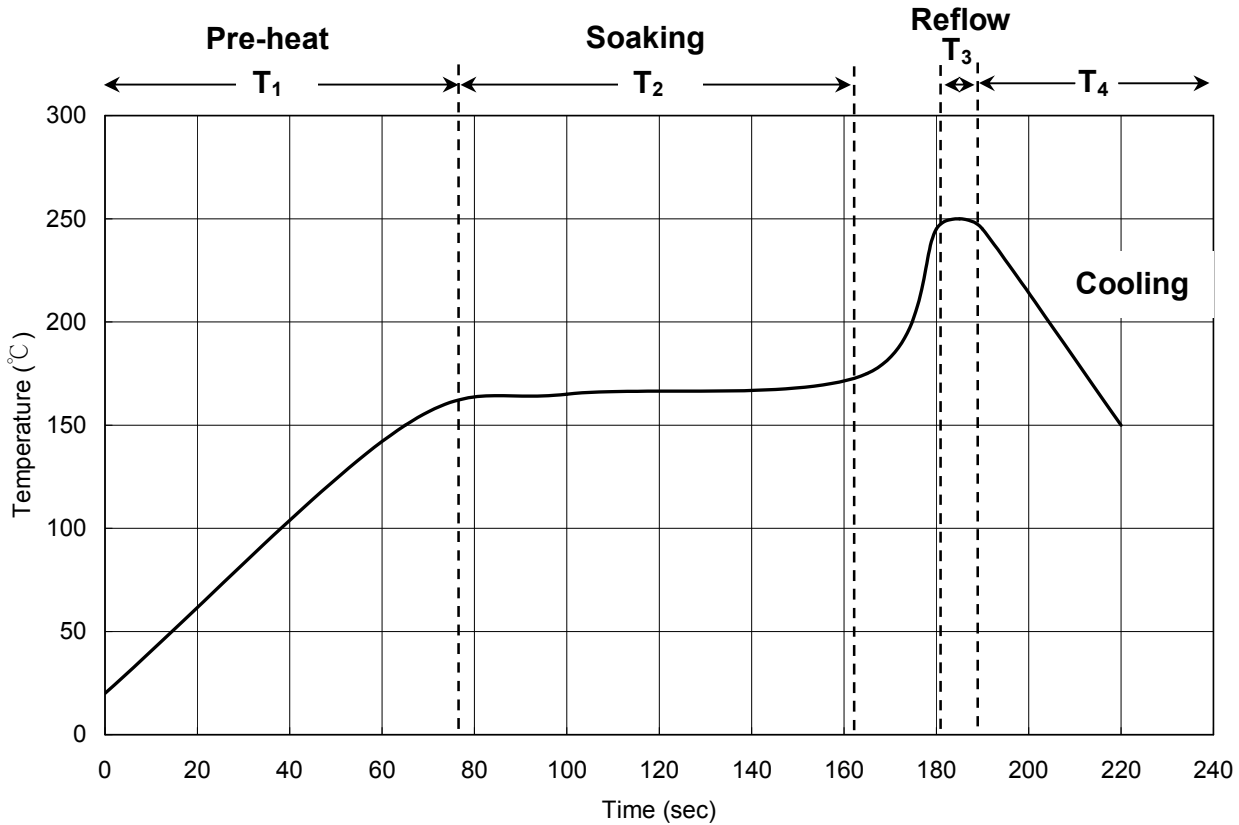
## Qualification Reliability Testing

Classification	Test Item	Test conditions	Reference Standard
Endurance Test	Operation Life	$I_F = 700\text{mA}$ $T_a = 25^\circ\text{C}$ Test Duration = 1000hrs	MIL-STD-750: 1026 MIL-STD-883: 1005 JIS C 7021: B-1
	High Temperature High Humidity Storage	$T_a = 85\pm 5^\circ\text{C}$ RH = 85±5% Test Duration = 1000hrs	MIL-STD-202: 103B JIS C 7021: B-11
	High Temperature Storage	$T_a = 105\pm 5^\circ\text{C}$ Test Duration = 1000hrs	MIL-STD-202: 1008 JIS C 7021: B10
	Low Temperature Storage	$T_a = -40\pm 5^\circ\text{C}$ Test Duration = 1000hrs	JIS C 7021: B-12
Environmental Test	Temperature Cycling	$-30^\circ\text{C} \sim 25^\circ\text{C} \sim 105^\circ\text{C} \sim 25^\circ\text{C}$ 30min 5min 30min 5min Test Duration = 10 cycle	MIL-STD-202: 107D MIL-STD-750: 1051 MIL-STD-883: 1010 JIS C 7021: A-4
	Thermal Shock	$-30\pm 5^\circ\text{C} \sim 105\pm 5^\circ\text{C}$ 30min 30min Test Duration = 10 cycle	MIL-STD-202: 107D MIL-STD-750: 1051 MIL-STD-883: 1011
	Solder Resistance	$T_{sol} = 260\pm 5^\circ\text{C}$ Dwell Time = 10sec	MIL-STD-202: 210A MIL-STD-750: 2031 JIS C 7021: A-1

Measuring Items	Symbol	Measuring Conditions	Failure Criteria
Forward voltage	$V_F$	$I_F = 700\text{mA}$	$V_F$ shift > 10%
Luminous	$I_v\%$	$I_F = 700\text{mA}$	$I_v\%$ shift > 10%

## Recommended Solder Profile

Soldering Recommended soldering conditions:



T <sub>1</sub>	Ramp up rate	1.0 ~ 3.0 °C/sec
	Pre-heat time	50 ~ 80 sec
T <sub>2</sub>	Soaking temperature	155 ~ 185 °C
	Dwell time during soaking	60 ~ 120 sec
T <sub>3</sub>	Reflow temperature	240 ~ 250 °C
	Reflow time	Max 10 sec
	Ramp up rate during reflow	1.2 ~ 2.3 °C/sec
T <sub>4</sub>	Cooling	1.0 ~ 6.0 °C/sec

Note: Suggest using Sn96Ag3Cu0.5 lead free solder.

### Cleaning

Use alcohol-based cleaning solvents such as isopropyl alcohol to clean the LED if necessary.





**This page is intended left blank.**

**For the latest product information, call us or visit: [www.hplighting.com.tw](http://www.hplighting.com.tw)**

©2015, High Power Lighting Corporation(HPL), all rights reserved. This document contains information that is proprietary to HPL and may be duplicated in whole or in part by the original recipient for the internal business purposes only, provided that this entire notice appears in all copies. In accepting this document, the recipient agrees to make every reasonable effort to prevent unauthorized use of this information.

5F, No 173-8, Yung-Fon Road, Tu-Cheng District, New Taipei City, Taiwan, R.O.C.  
TEL: +886-2-8262-8886 FAX : +886-2-8262-8885

**HPLighting Corp.**

[www.hplighting.com.tw](http://www.hplighting.com.tw)